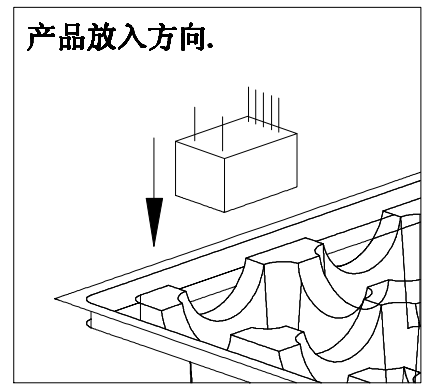
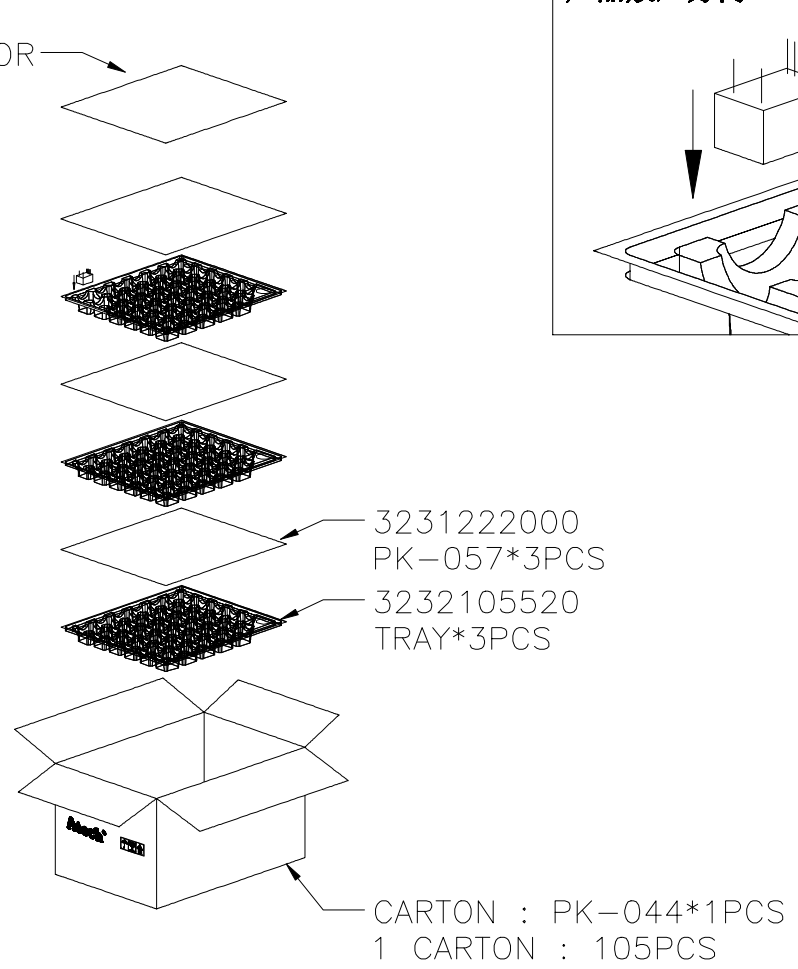
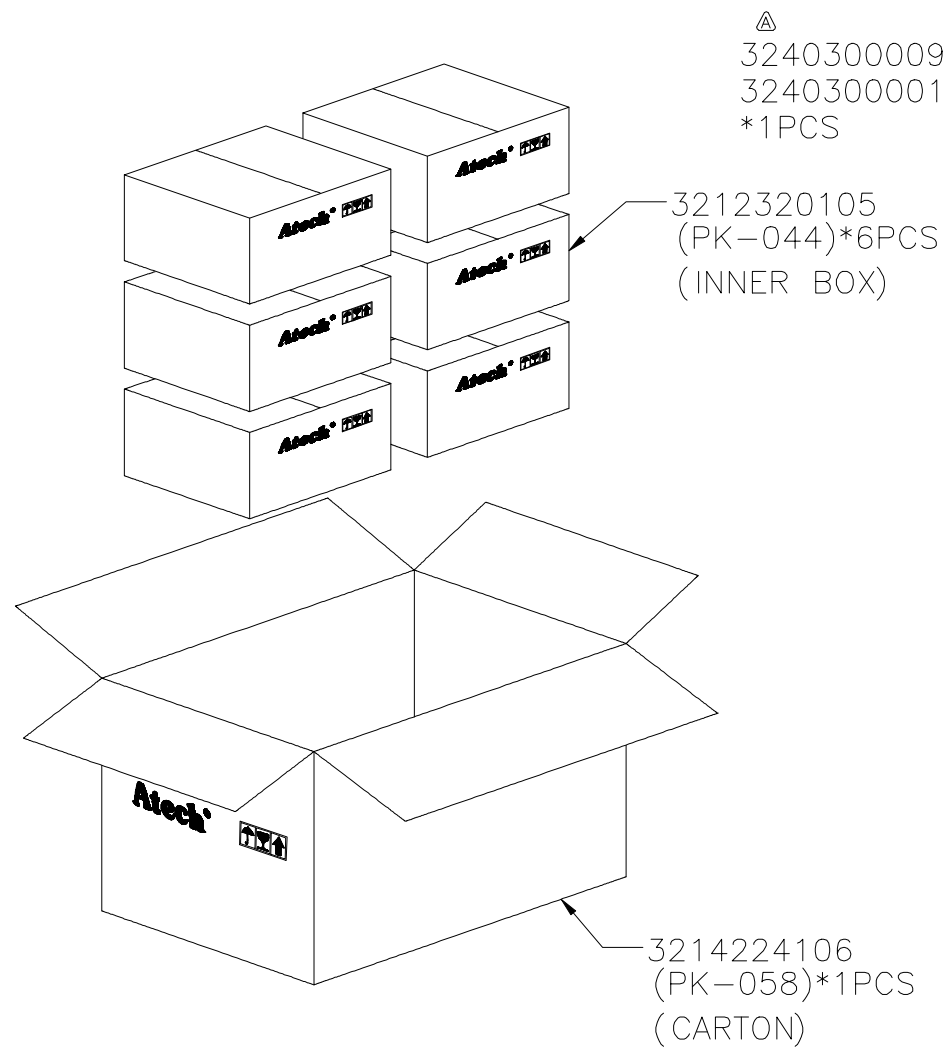


ELECTRICAL CHARACTERISTICS :

1. DCR : PIN 1-2 = 3.5Ω MAX. PIN 3-4 = 300mΩ MAX.
PIN 4-5 = 70mΩ MAX. PIN 6-9 = 400mΩ MAX.
PIN 9-8 = 40mΩ MAX.
2. INDUCTANCE (@1KHz, 1Vrms) :
PIN 1-2 = 2.25mH ±10%
3. LEAKAGE INDUCTANCE ps1 (@100KHz, 0.1Vrms)
PIN 1-2 (PIN 3-4-5 SHORT, PIN 8-9 SHORT) = 100uH MAX.
4. LEAKAGE INDUCTANCE pf2 (@100KHz, 0.1Vrms)
PIN 1-2 (PIN 3-4-5 SHORT, PIN 6-9 SHORT) = 100uH MAX.
5. TURN RATIO (@100KHz, 0.1Vrms) :
PIN 1-2 : 9-8 = 25.6 ±2%. PIN 1-2 : 6-9 = 12.8 ±2%.
PIN 1-2 : 4-5 = 22 ±2%. PIN 1-2 : 3-4 = 15.4 ±2%
6. RESONANT FREQUENCY PIN 1-2 (@fr : 300KHz MIN.)
7. HI-POT (@3750VAC, 5mA, 2SEC) : PIN 1.2.3.4.5-6.8.9
8. RoHS COMPLIANCE.

						AOEM	TITLE TRANSFORMER	
							DWG. NO. ATS-1374R	
A	CHANGE DIM.	07/07/2014	SHIRLEY	RONAN	RONAN	UNITS: M/M	SAFETY	SHEET 1 of 1
	RELEASE	03/27/2014	SHIRLEY	RONAN	RONAN			
NO:	DESCRIPTION	DATE	BY	CHK	APPD	DATE	P/N:	DRAW
REVISIONS						03/27/14		Shirley

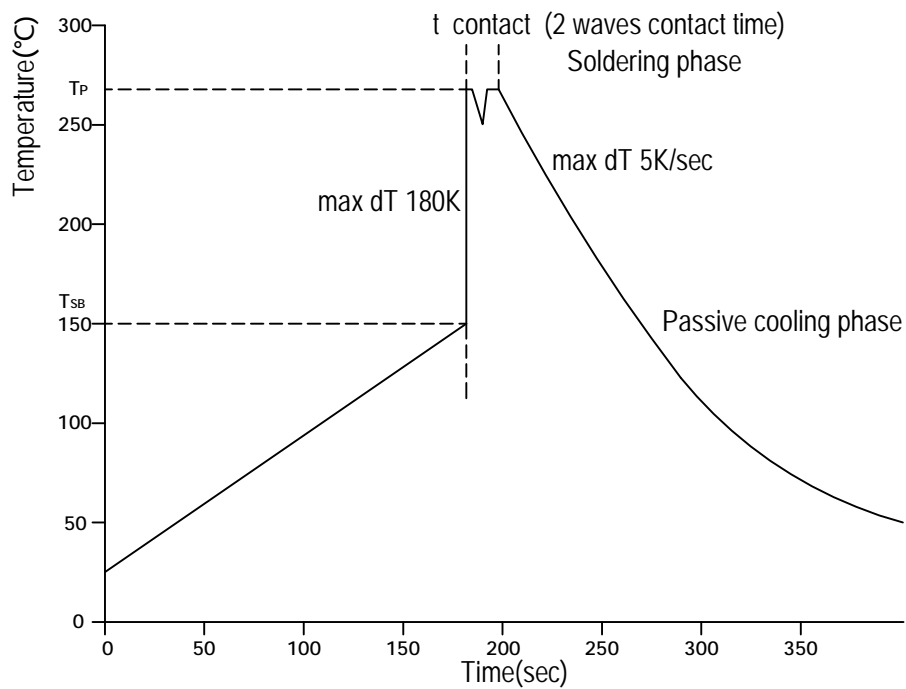


ONE TRAY : 35PCS.
 1PC PK-044:3PCS TRAY:3PCS PK-057
 1PC PK-058:6PCS PK-044 630PCS

								TITLE	
								PACKING	
A	ADD MATERIAL	05/23/2012	SHIRLEY	JOAN	JOAN	DWG. NO.		968S105500	
	RELEASE	05/04/2012	SHIRLEY	JOAN	JOAN	UNITS:		SAFETY	
NO:	DESCRIPTION	BY	BY	CHK	APPD	M/M		SHEET 1 of 1	
REVISIONS						DATE		DRAW	
						05/04/12		Shirley	



Resistance to soldering heat (wave soldering)



Resistance to soldering heat (wave soldering) referring to the terminals

Key	Par.	Profile feature	Pb free Process
T.1	T_{sb}	Final Preheat Temperature	150°C
T.2	t pre-heat	Pre-heating time (T_{room} to T_{sb})	180sec
T.3	d_T/dt up	Ramp-Up Rate (T_{sb} to T_p)	180°C/sec
T.4	T_p	Peak Temperature T_p	255°C ~ 265°C
T.5	t contact	Contact Time at Peak	10sec (5sec x wave)
T.6	d_T/dt down	Ramp-Down Rate	5°C/sec

Failure criteria concerning quality of the soldering termination acc. to the IPC-A-610D