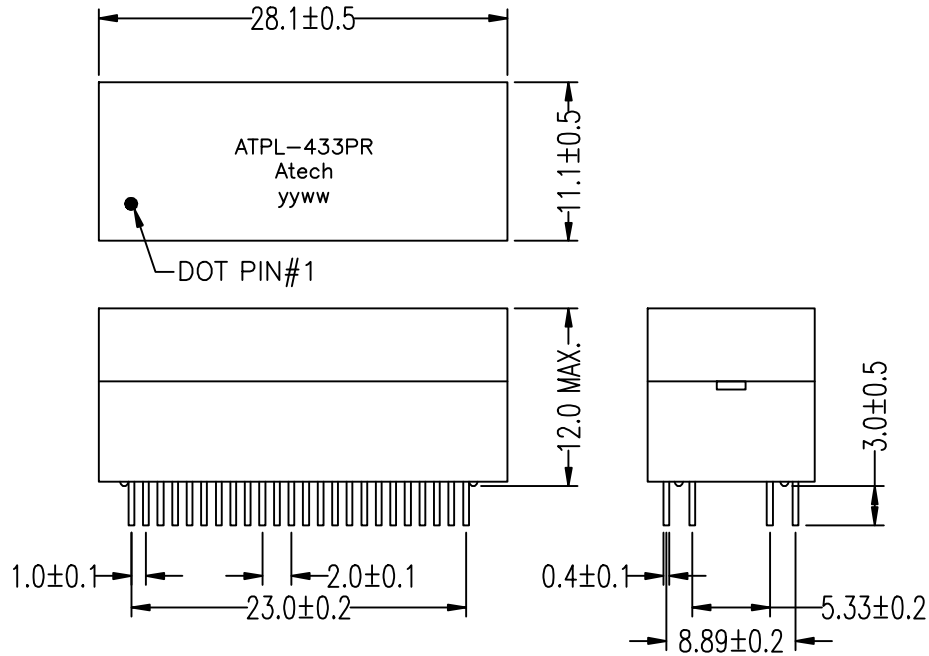
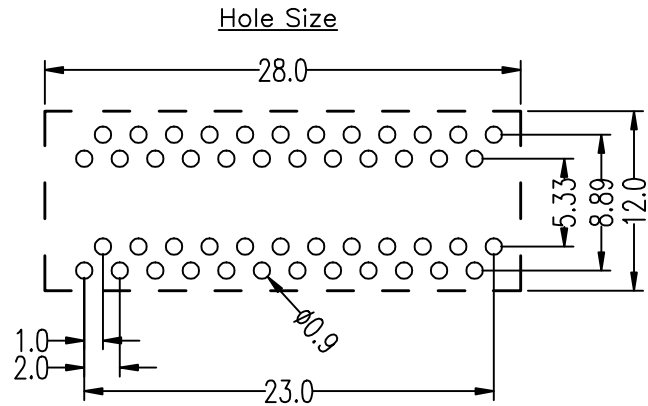


Mechanical Dimensions :



DIP Pad Dimensions : (TOP VIEW)



RECOMMENDED PAD LAYOUT

UNITS : MILLIMETER ALL TOLERANCES ARE ± 0.25 mm

\* RoHS COMPLIANT

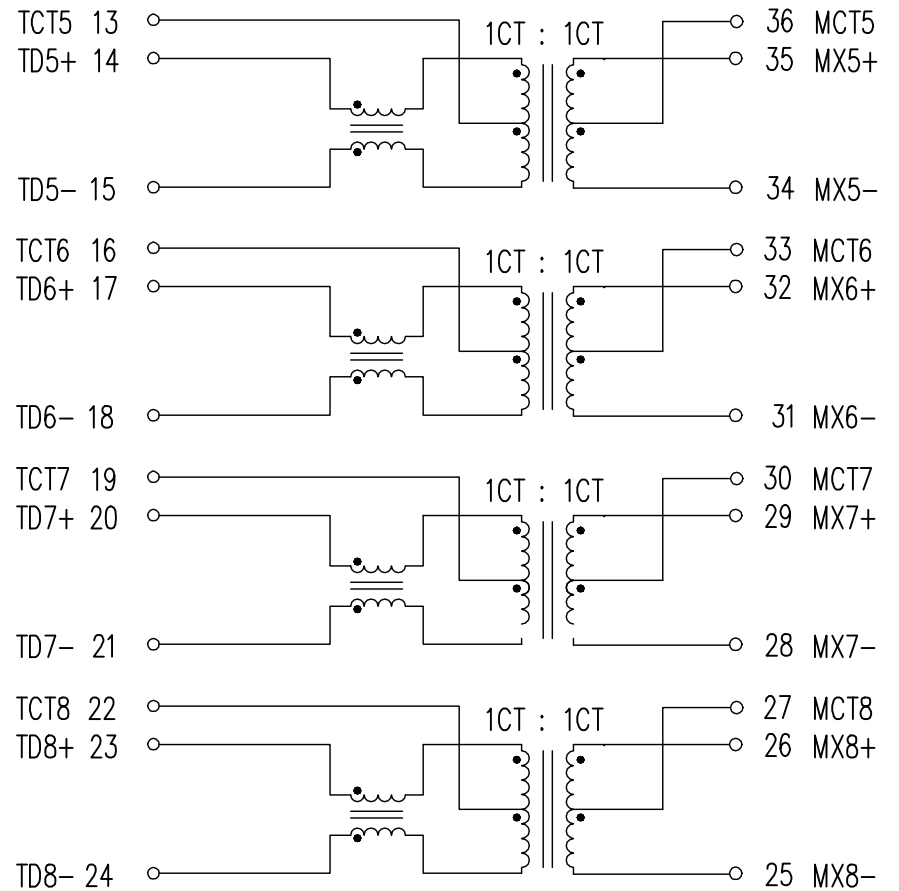
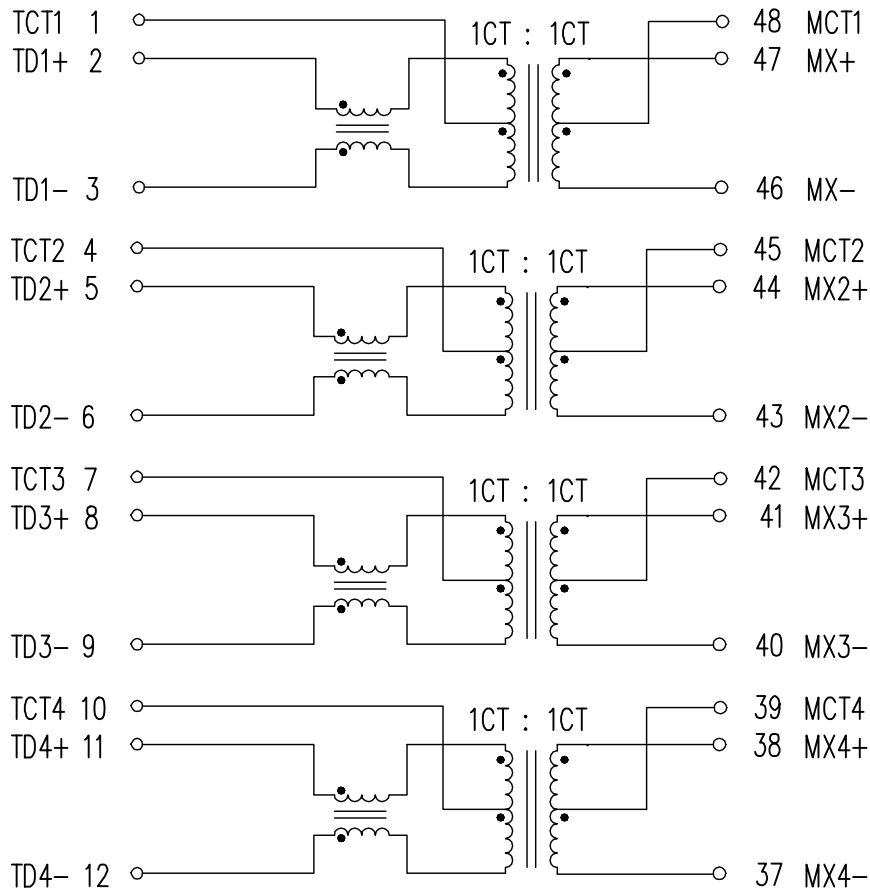
ELECTRICAL CHARACTERISTICS @25°C:

1. TURN RATIO : TX/RX = 1CT : 1CT ±5%
2. PRI OCL (@100kHz/0.1V With 8mA DC Bias) : 350uH MIN.
3. INSERTION LOSS : 1-100MHz = -1.1dB MAX.
4. RETURN LOSS (@100Ω) : 1-30MHz = -18dB MIN.  
 40MHz = -14.4dB MIN.  
 50MHz = -13.1dB MIN.  
 60-80MHz = -12dB MIN.  
 100MHz = -10dB MIN.
5. DCMR : 1-100MHz = -30dB MIN.
6. CROSS TALK : 1-100MHz = -30dB MIN.
7. LK(@100kHz, 0.1Vrms) : 0.5uH MAX.
8. DCR : 1.4Ω MAX
9. HI-POT : 1500Vrms, 1mA, 60SEC PRI TO SEC
10. OPERATING TEMPERATURE RANGE : 0°C~+70°C

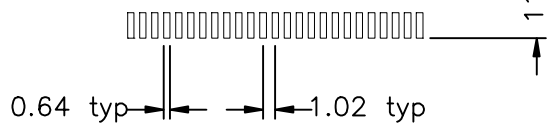
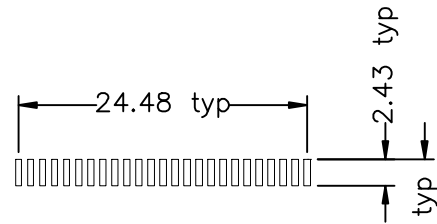
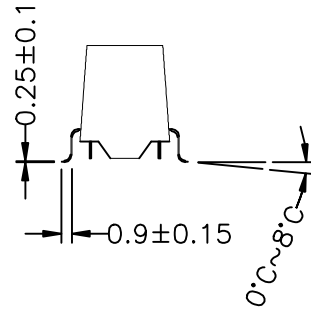
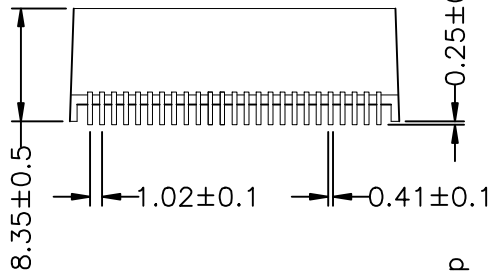
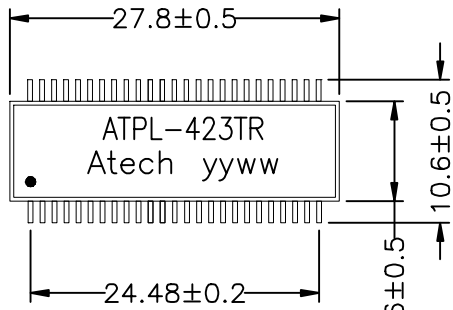
IEEE802.3af compliant performance--350mA Current Capability

					<b>AOEM</b>		TITLE 1000 BASE-TX DUAL PORTS TRANSFORMER	
							DWG. NO. ATPL-433PR	
RELEASE		11/01/2021	SHIRLEY	BETTY	BETTY	UNITS: M/M	SAFETY	
NO:	DESCRIPTION	DATE	BY	CHK	APPD	DATE 11/01/21	P/N:	SHEET 1 of 2
REVISIONS								DRAW SHIRLEY

# Circuit Schematic :



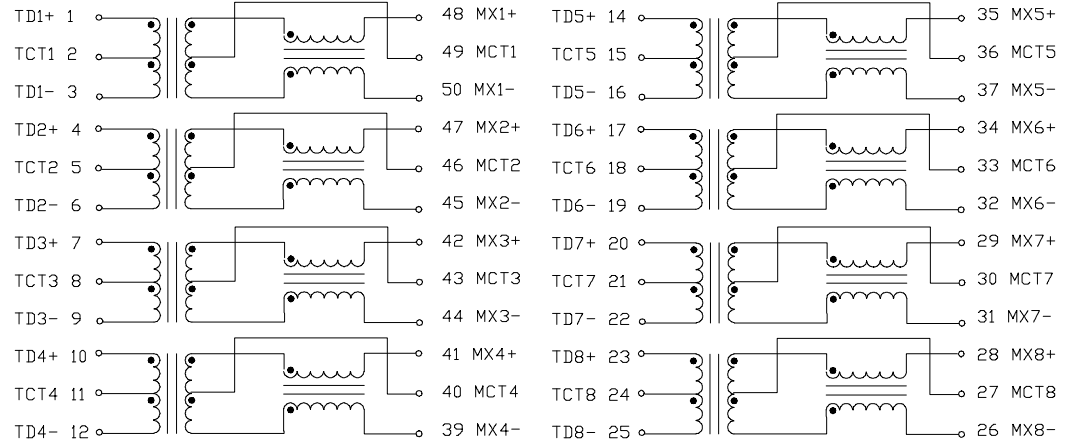
					<b>AOEM</b>		TITLE 1000 BASE-TX DUAL PORTS TRANSFORMER	
							DWG. NO. ATPL-433PR	
RELEASE		11/01/2021	SHIRLEY	BETTY	BETTY	UNITS: M/M	SAFETY	
NO:	DESCRIPTION	DATE	BY	CHK	APPD	DATE 11/01/21	P/N:	SHEET 2 OF 2
REVISIONS								DRAW SHIRLEY



SUGGESTED PAD LAYOUT

TOLERANCES : xx.x0±0.25  
0.xx±0.05

UNIT : mm



ELECTRICAL CHARACTERISTICS @25°C :

- INSULATION HI-POT : 1500 Vrms/1mA, 60Sec.
- TURN RATIO (±5%) : 1CT : 1CT
- OCL : 350uH MIN. 8mA/DC Bias (@100kHz, 0.1V)
- CROSS TALK : 1-100kHz = -30dB MIN.
- INSERTION LOSS (1MHz -100MHz) : -1.1dB MAX.
- RETURN LOSS (dB MIN. @100Ω) :
 

1-30MHz	40MHz	50MHz	60-80MHz	100MHz
-18	-14.4	-13.1	-12	-10
- COMMON MODE REJECTION : 1-100kHz = -30dB MIN.
- OPERATING TEMPERATURE : -40°C to +85°C
- RoHS COMPLIANT

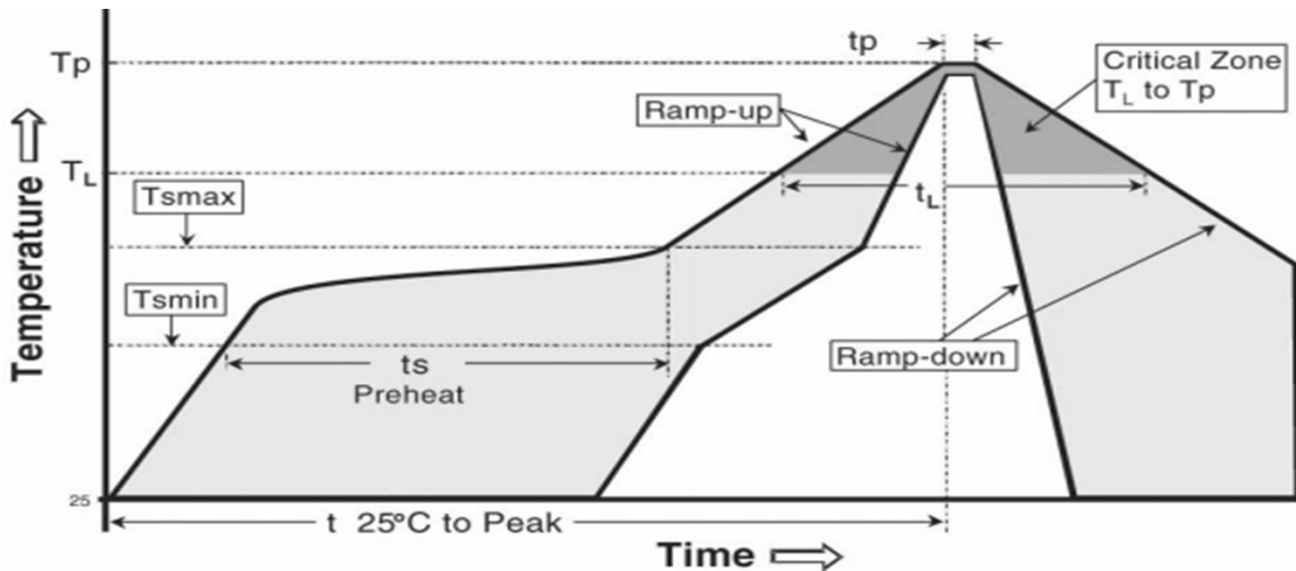
							TITLE 100/1000 BASE-T TRANSFORMER	
							DWG. NO. ATPL-423TR	
RELEASE		09/24/2019	SHIRLEY	BETTY	BETTY	UNITS: M/M	SAFETY	
NO:	DESCRIPTION	DATE	BY	CHK	APPD	DATE	P/N:	SHEET 1 OF 1
REVISIONS						09/24/19	DRAW SHIRLEY	



# JANSUM ELECTRONICS DONGGUAN CO.,LTD.

## SPECIFICATION FOR APPROVAL

### SUGGEST PROFILE



reflow profile

Form-1 (Reference JEDEC J-STD-020D Table 5-2)

Profile Feature	Sn-Pb Eutectic Assembly	Pb-Free Assembly
Average ramp-up rate (T <sub>smax</sub> to T <sub>p</sub> )	3°C/second max	3°C/second max
Preheat Temperature Min (T <sub>smin</sub> ) Temperature Min (T <sub>smax</sub> ) Time (T <sub>smin</sub> to T <sub>smax</sub> ) (t <sub>s</sub> )	100°C 150°C 60-120seconds	150°C 200°C 60-180seconds
Time maintained above Temperature (T <sub>L</sub> ) Time (t <sub>L</sub> )	183°C 60-150seconds	217°C 60-150seconds
Peak Temperature (T <sub>p</sub> )	225°C	260°C
Time within 5°C of actual Peak Temperature (T <sub>p</sub> ) <sup>2</sup>	20 seconds	30 seconds
Ramp-down Rate	6°/second max	6°/second max
Time 25°C to Peak Temperature	6minutes max	8minutes max