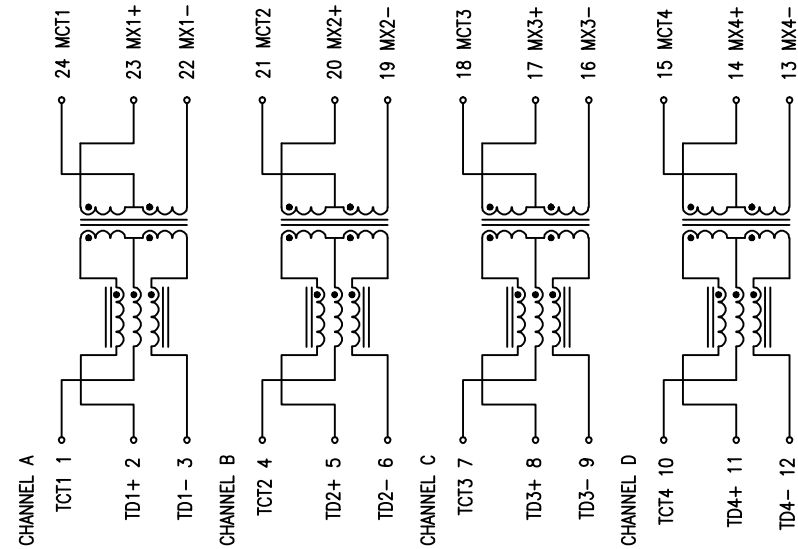


SUGGESTED PCB LAYOUT

UNLESS OTHERWISE SPECIFIED ALL TOLERANCES ARE ±0.25mm



ELECTRICAL CHARACTERISTICS :

- INSULATION HI-POT(PRI./SEC.) : 1500Vrms, 1mA, 60SEC
- TURN RATIO (±5%) : TX = 1CT : 1CT  
RX = 1CT : 1CT
- OCL : 350uH MIN. 100KHz/0.1V AT 15mA DC BIAS
- INSERTION LOSS : 1-100MHz = -1.0dB MAX.
- RETURN LOSS (dB MIN.) : 1-30MHz 40MHz 50MHz 80MHz 100MHz  
-18 -14.4 -13.1 -12 -10
- CROSS TALK : 1-100MHz = -30dB MIN.
- COMMON MODE REJECTION : 1-100MHz = -30dB MIN.
- LEAKAGE INDUCTOR (100KHz, 0.2Vrms) : 0.5uH MAX.
- DCR : 1.2Ω MAX.
- OPERATING TEMPERATURE RANGE : -40°C~+85°C
- Suitable for End-span POE applications with 720mA current capability
- RoHS COMPLIANT

							TITLE 10/100/1000 BASE-T PoE++TRANSFORMER	
							DWG. NO. ATPL-418PTR	
RELEASE		06/10/2022	SHIRLEY	BETTY	BETTY	UNITS: M/M	SAFETY	
NO:	DESCRIPTION	DATE	BY	CHK	APPD	DATE	P/N:	SHEET 1 of 1
REVISIONS						06/10/22	DRAW SHIRLEY	



## Pb-free Soldering Heat Withstanding Survey

