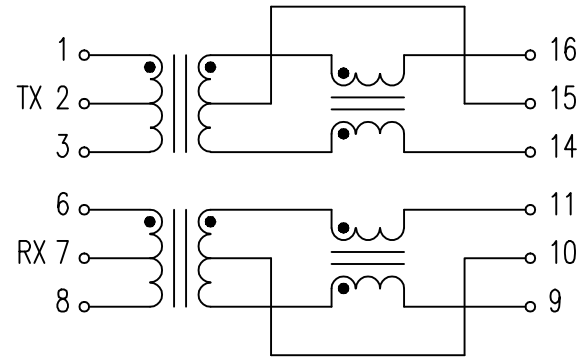


SUGGESTED PCB PAD LAYOUT

UNLESS OTHERWISE SPECIFIED, ALL TOLERANCES ARE mm±0.01

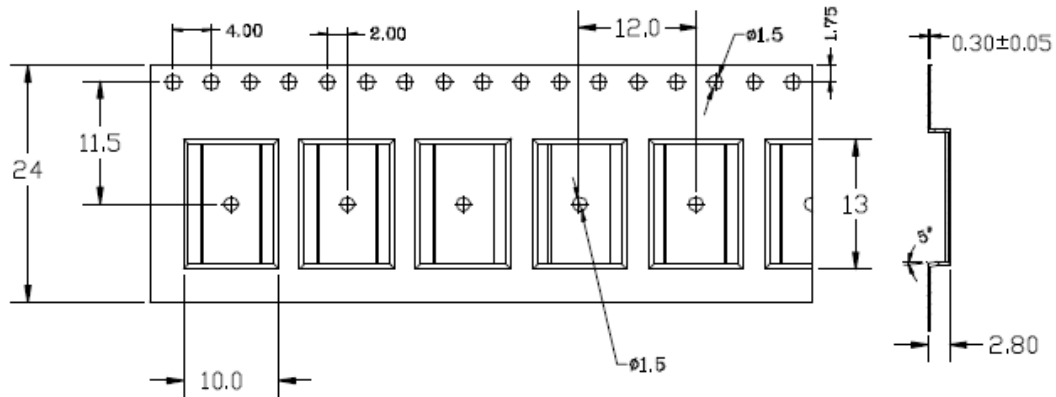


ELECTRICAL SPECIFICATIONS (25°C) :

1. TURN RATIOS (±3%) : TX & RX 1CT : 1CT
2. INDUCTANCE : (@100KHz, 0.1Vrms)  
PIN 1-3 = 6-8 = 350uH MIN.
3. INSERTION LOSS (@0.3MHz-300MHz) : -1.1dB MAX.
4. RETURN LOSS (dB MIN.) : 0.3-30MHz 40MHz 50MHz 60-80MHz  
-18 -15.5 -13.5 -10
5. DIFFERENTIAL TO COMMON MODE REJECTION (dB MIN.) :  
0.3-60MHz 60-100MHz  
-33 -26
6. CROSSTALK (dB MIN.) : 0.3-100MHz  
-38dB
7. LK (@100KHz, 0.1Vrms) : 0.5uH MAX.
8. Cw/w (@100KHz, 0.1Vrms) : 35pF MAX.
9. DCR : 1.2Ω MAX.
10. HI-POT (@1500VAC, 1mA, 2SEC) : PRI.-SEC.
11. RoHS COMPLIANT

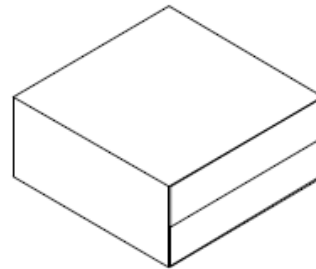
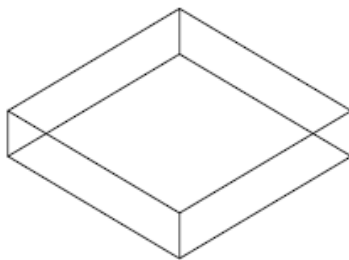
							TITLE	
							10/100 BASE-TX	
							DWG. NO.	
							ATPL-412R	
RELEASE		03/08/2011	SHIRLEY	BETTY	BETTY	UNITS:	SAFETY	SHEET 1 of 1
NO: DESCRIPTION		DATE	BY	CHK	APPD	M/M		
REVISIONS						DATE	P/N:	DRAW
						03/08/11		SHIRLEY

Package :



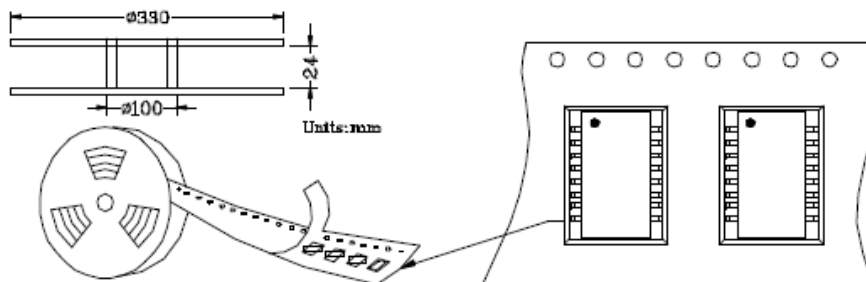
Units: mm Tolerances: ±0.10

REEL MECHANICAL DIMENSION



INNER CARTON :340mm ( L ) \*340mm ( W ) \*100mm ( H )

EXPORT CARTON :360mm ( L ) \*360mm ( W ) \*250mm ( H )



1. ONE ROLL:2000PCS
2. INNER CARTON :6000PCS
3. EXPORT CARTON :12000PCS

## Pb-free Soldering Heat Withstanding Survey

