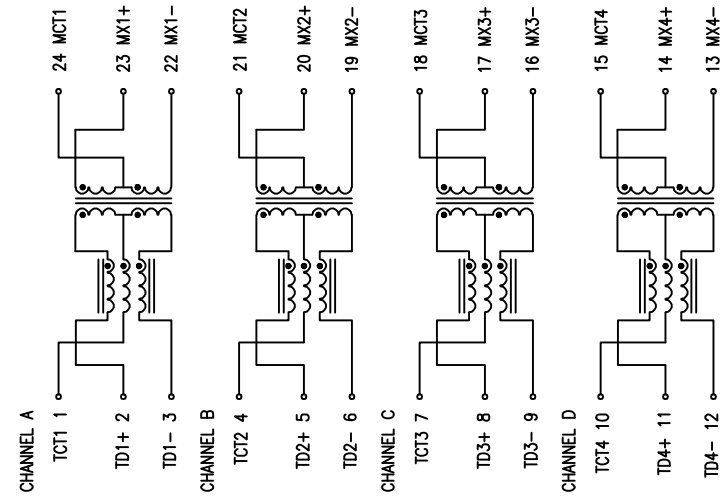


SUGGESTED PAD LAYOUT



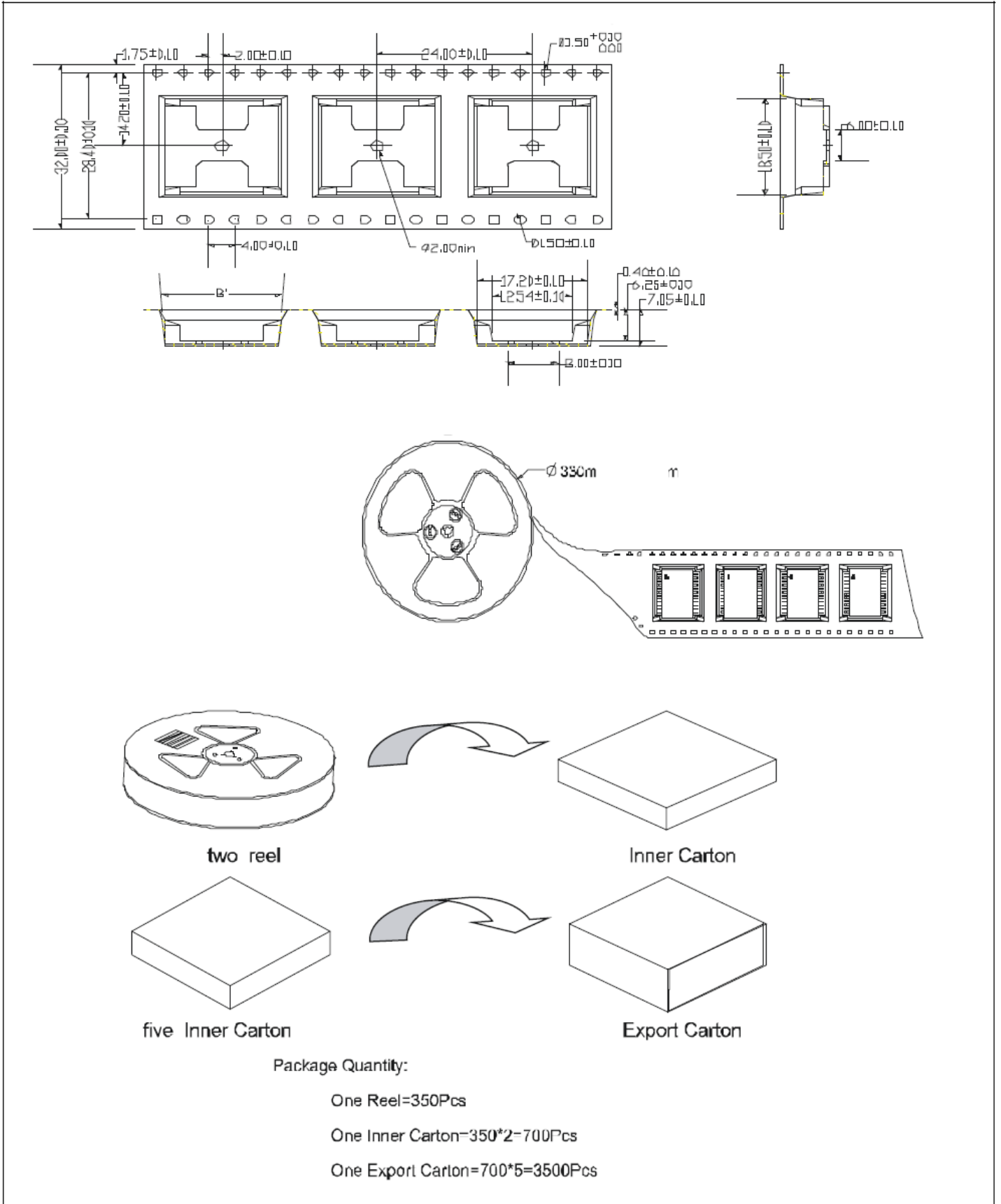
\* RoHS COMPLIANT

ELECTRICAL CHARACTERISTICS@25°C

1. OCL : (@100kHz, 0.1V) : 200uH MIN. 14mA DC BIAS
2. LEAKAGE INDUCTANCE : (@100kHz, 0.1V) : 0.5uH MAX.
3. DCR : 1.0Ω MAX.
4. TURNS RATIO : 1CT : 1CT ±5%
5. INSERTION LOSS : (@1-100MHz) : -1.0dB MAX.  
(@100-250MHz) : -2.0dB MAX.
6. RETURN LOSS : (@1≤f≤40MHz) : -16dB MIN.  
(@40<f≤250MHz, where f is in MHz) : -16+10 log (f/40)dB MIN.
7. CROSS TALK : (@1-250MHz) : -30dB MIN.
8. COMMON MODE REJECTION : (@1-250MHz) : -30dB MIN.
9. ISOLATION HIPOT : (@1500VAC, 1mA, 60S)
10. PoE Support 30W : Each channel support 720mA DC balance current
11. OPERATING TEMPERATURE : 0°C to +70°C
12. STORAGE TEMPERATURE : -40°C to +85°C

							TITLE	
							2.5G/5G POE* TRANSFORMER	
							DWG. NO.	
							ATPL-545PR	
RELEASE		10/13/2020	SHIRLEY	BETTY	BETTY	UNITS:	SAFETY	
						M/M		
NO:	DESCRIPTION	DATE	BY	CHK	APPD	DATE	P/N:	SHEET 1 of 1
REVISIONS						10/13/20		DRAW SHIRLEY

**3. Package :**



## Pb-free Soldering Heat Withstanding Survey

