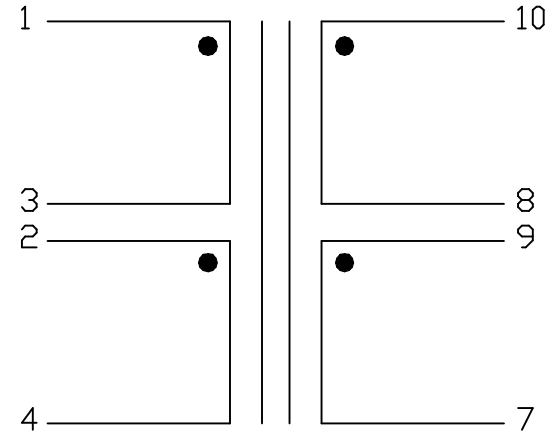
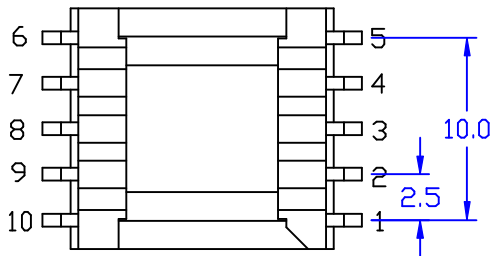
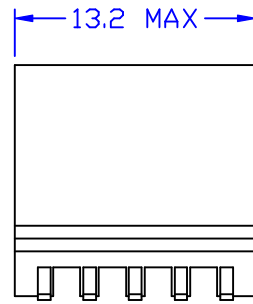
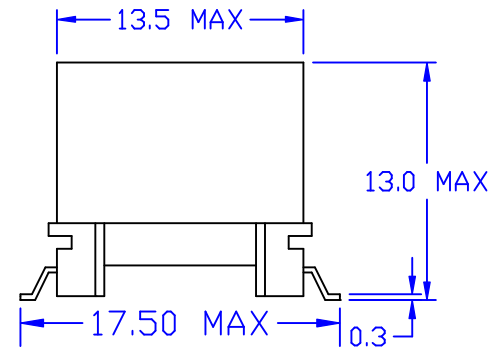


DOT PIN#1



ELECTRICAL CHARACTERISTICS : (C1972 COMPATIBLE)

1. DCR : PIN 1-3 = 2-4 = 1.3 OHM ± 10%
PIN 9-7 = 1.12 OHM ± 10%
PIN 10-8 = 1.5 OHM ± 10%
2. INDUCTANCE : (@10 KHZ, 1 Vrms, W/H 2-3 SHORT) 1-4 = 5 mH ± 10%
3. LEAKAGE INDUCTANCE : (@100 KHZ, 0.1 Vrms, W/H 2-3, 8-9, 1-4 SHORT)
10-7 = 12 uH MAX.
4. INTERWINDING CAP. : (@10 KHZ, 0.1 Vrms, W/H 2-3, 8-9 SHORT)
1-10 = 55 pF MAX.
5. INSERTION LOSS : (@100KHZ) = 1dB MAX.
6. FREQUENCY RESPONSE : (@25KHZ~1.1MHZ, REF100KHZ) : +/-1.25dB
7. RETURN LOSS : (@25KHZ~1.1MHZ, REF 100OHM) : 10dB MIN.
8. LONGITUDINAL BALANCE : (30KHZ~1.1MHZ) : 40dB MIN.
9. T.H.D : (@30KHZ,2.5Vrms) = 85dB MIN.
(@130KHZ,2.5Vrms) = 80dB MIN.
10. TURN RATIO : (@10 KHZ, 1 Vrms) 10-7 (8-9 SHORT) : 1-4 (2-3 SHORT) = 1 ± 1%
11. HI-POT : (@1875 VAC, 1 mA, 2 SEC) 1-10 (8-9, 2-3 SHORT)

						Atech [®]		TITLE ADSL TRANSFORMER	
						Atech Technology Co., Ltd.		DWG. NO. ATS-424B	
						TEL:(02)2794-6667 FAX:(02)2794-8004			
A	ADD ELECTRICAL CHARACTERISTICS	08/25/2002	DOLLY	JEFF	SUEDY	UNITS: M/M	SAFETY		SHEET 1 OF 1
	RELEASE	05/21/2001	DOLLY		SUEDY	DATE			DRAW
NO:	DESCRIPTION	DATE	BY	CHK	APPD	05/21/01			Pair
REVISIONS									