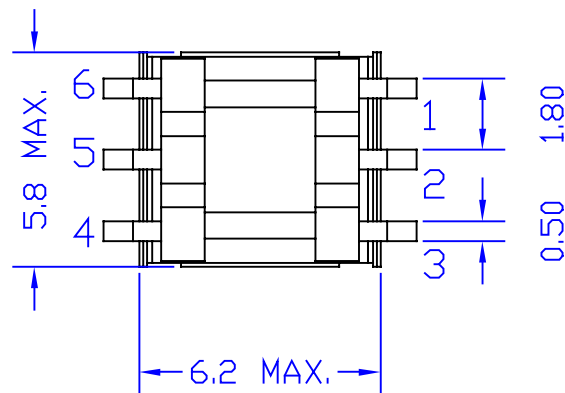
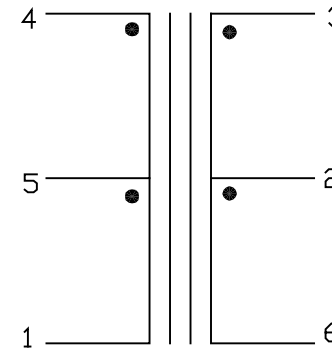


75/120 : 135



ELECTRICAL CHARACTERISTICS : (FOR 2795N COMPATIBLE)

1. DCR: PIN4-5=1.7 OHM MAX. PIN4-1=2.2 OHM MAX. PIN3-6=2.3 OHM MAX.
2. INDUCTANCE: (@10KHZ, 0.1Vrms) PIN4-1=1.7 mH MIN.
3. LEAKAGE INDUCTANCE: (@100KHZ, 0.1Vrms) PIN4-1(3-6SHORT)=
PIN4-5(3-6SHORT)=1.5 uH MAX.
4. INTERWINDING CAP. (@10KHZ, 0.1Vrms) PIN4-3=36 pF TYP.
5. TURN RATIO: (@40KHZ, 1Vrms) PIN3-6 : 4-1 =1.07±1.5%
PIN3-6 : 4-5 =1.353±1.5%
6. HI-POT: (@1.5KVAC, 1mA, 2SEC) PIN3-4

						Atech [®] Atech Technology Co., Ltd. TEL:(02)2794-6667 FAX:(02)2794-8004	TITLE T1/E1 TRANSFORMER	
							DWG. NO. ATS-458	
RELEASE		06/26/00	FENG		SUEDY	UNITS: M/M	SAFETY	SHEET 1 OF 1
NO.	DESCRIPTION	DATE	BY	CHK	APPD			DATE
REVISIONS						06/26/00		