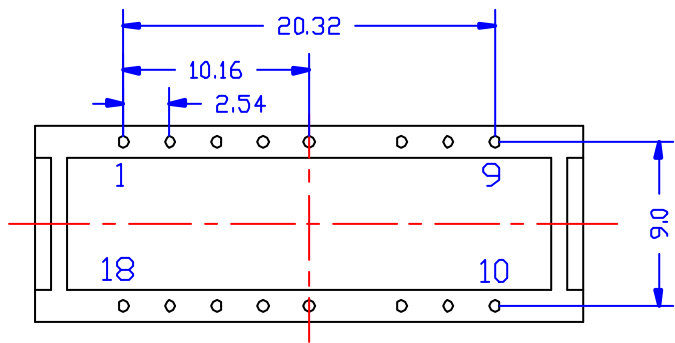
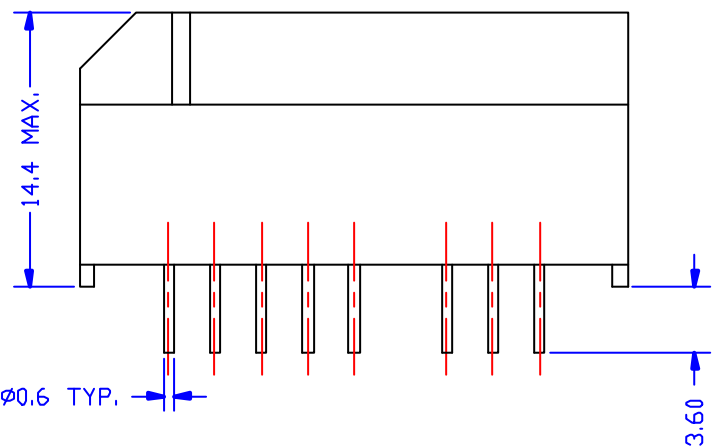


ELECTRICAL CHARACTERISTICS:

1. D.C.R. : 2-17 = 4-15 = 2.5 OHM MAX.
 9-7 = 10-12 = 5.6 OHM MAX.
 1-2 = 17-18 = 4-5 = 14-15 = 1.1 OHM MAX.
2. INDUCTANCE : (@10KHZ, 0.1Vrms)
 2-17 = 4-15 = 30mH MIN.
 1-2 = 17-18 = 4-5 = 14-15 = 5mH +50/-30%
3. LEAKAGE INDUCTANCE : (@100KHZ, 0.1Vrms, 9-7,10-12 SHORT)
 2-17 = 4-15 = 5uH MAX.
4. CHOKE LEAKAGE INDUCTANCE : (@100KHZ, 0.1Vrms, 17-18, 14-15 SHORT)
 1-2 = 4-5 = 0.6uH MAX.
5. INTERWINDING CAP.:(@10KHZ,0.1Vrms)
 1-9 = 5-10 = 150pF MAX.
6. TURNS RATIO : (@15KHZ, 0.1Vrms)
 9-7 : 2-17 = 2.5+/-1%
 10-12 : 4-15 = 2.5+/-1%
 1-2 : 18-17 = 5-4 : 14-15 = 1+/-1%
7. HI-POT : 2-9, 4-10 (@1500Vrms, 1mA 2SEC.)
 3-16 (@500Vrms, 1mA,2SEC, 1-9, 5-10 SHORT)



								TITLE	
								ISDN SO MODULE	
						Atech Technology Co., Ltd. <small>TEL(02)2794-8867 FAX(02)2794-8004</small>		DWG. NO	
								ATS-338	
RELEASE	12/29/98	PAIR	SLEEDY	UNITS	SAFETY		SHEET 1 OF 1		
NO:	DESCRIPTION	DATE	BY	CHK					M/M
REVISIONS						DATE		DRAW	
						12/29/98		Pair	