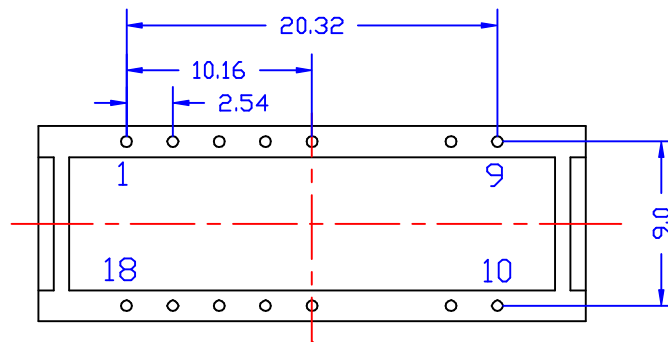
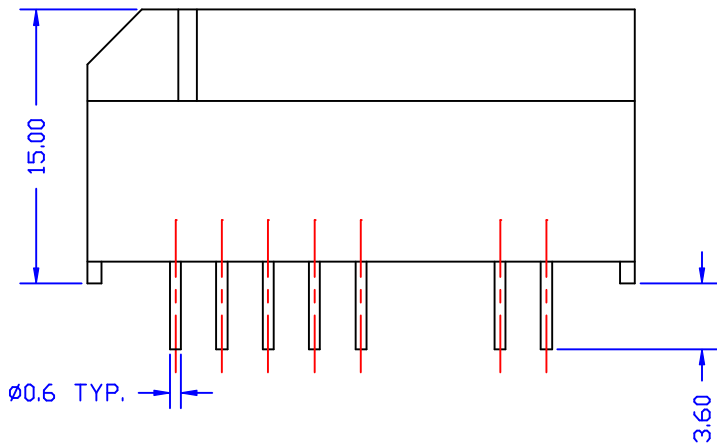


ELECTRICAL CHARACTERISTICS:

- D.C.R. : 2-17 = 4-15 = 4 OHM MAX.
9-10 = 8-11 = 5.5 OHM MAX.
1-2 = 17-18 = 4-5 = 14-15 = 1.3 OHM MAX.
- INDUCTANCE : (@10KHZ, 0.1Vrms)
2-17 = 4-15 = 30mH MIN.
1-2 = 17-18 = 4-5 = 14-15 = 5mH +50/-30%
- LEAKAGE INDUCTANCE : (@100KHZ, 0.1Vrms, 9-10,8-11 SHORT)
2-17 = 4-15 = 4uH MAX.
- CHOKER LEAKAGE INDUCTANCE : (@100KHZ, 0.1Vrms, 17-18, 14-15 SHORT)
1-2 = 4-5 = 0.6uH MAX.
- INTERWINDING CAP.:(@10KHZ,0.1Vrms)
1-9 = 5-8 = 120pF MAX.
- TURNS RATIO : (@15KHZ, 0.1Vrms)
9-10 : 2-17 = 2+/-1%
8-11 : 4-15 = 2+/-1%
1-2 : 18-17 = 5-4 : 14-15 = 1+/-1%
- HI-POT : 2-9, 4-8 (@1500Vrms, 1mA 2SEC.)
3-16 (@500Vrms, 1mA,2SEC, 1-9, 5-8 SHORT)



						Atech®		TITLE ISDN SO MODULE	
						Atech Technology Co., Ltd.		DWG. NO. ATS-263	
						TEL:(02)2794-6667 FAX:(02)2794-8004			
A	LEAKAGE 4-5	07/04/98	PAIR		SUEDY	UNITS: M/M		SAFETY	
	RELEASE		PAIR		SUEDY	DATE		SHEET 1 OF 1	
NO.	DESCRIPTION	DATE	BY	CHK	APPD	06/20/98		DRAW Pair	
REVISIONS									