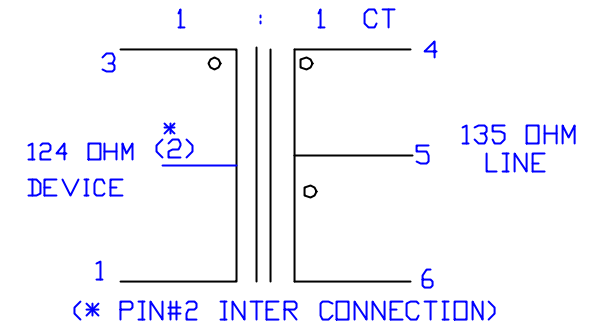
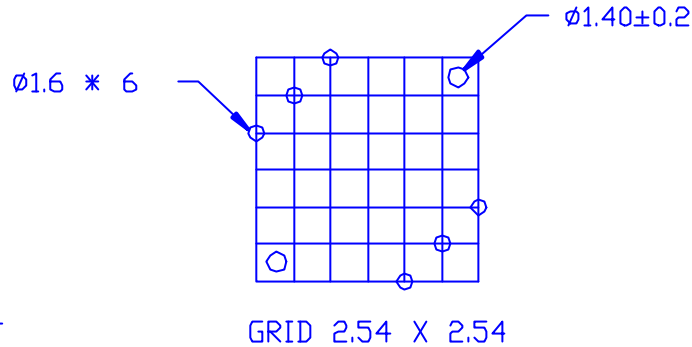
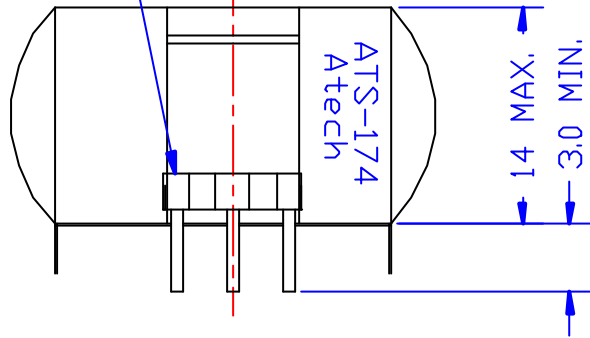
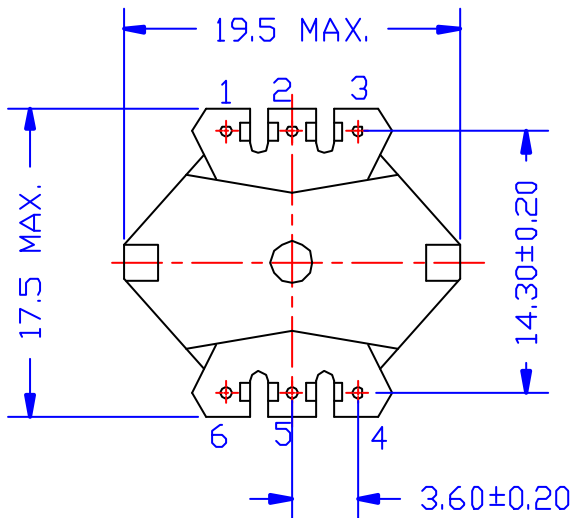


WHITE DOT IN PIN# 1



ELECTRICAL CHARACTERISTICS: (FOR LXT400, LXT456 DDS)

1. D.C.R. : PIN 1-3 = 6.5 OHM MAX.
PIN 4-6 = 6.5 OHM MAX.
2. INDUCTANCE : (@ 10KHZ, 10mVrms)
1-3 = 200 mH MIN.
3. LEAKAGE INDUCTANCE : (@ 10KHZ, 10mVrms, 4-6 SHORT)
1-3 = 65uH MAX.
4. IMPEDANCE : (@20KHZ, 0.1Vrms, 1-3 W/H 124 OHM)
4-6 = 135 OHM +/-2%
5. INSERTION LOSS : (@20KHZ, 0.1 Vrms, 1-3 W/H 124 OHM)
4-6 = 0.5 dB MAX.
6. INTERWINDING CAP : (@ 10KHZ, 10mVrms)
1-4 = 100 Pf MAX.
7. TURN RATIO : (@120KHZ, 1Vrms) 3-1 : 6-4 = 1 +/- 1%
8. HI-POT = 1000VAC, 1mA, 2SEC (PRI-SEC)



						Atech [®]		TITLE DDS TRANSFORMER	
						Atech Technology Co., Ltd.		DWG. NO. ATS-174	
						TEL: (02)2794-6667 FAX: (02)2794-8004			
RELEASE		PAIR	SLIEDY	UNITS	SAFETY		SHEET 1 OF 1		
NO.	DESCRIPTION	DATE	BY	CHK	APPD	M/M	DRAW		
REVISIONS						DATE	Pair		