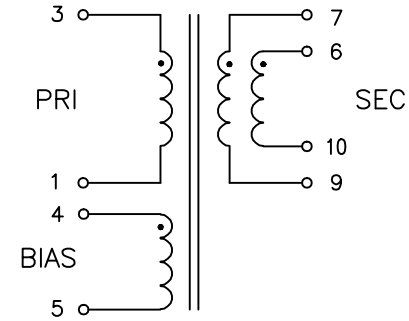


SUGGESTED FOOTPRINT



ELECTRICAL CHARACTERISTICS :

1. DCR : 3-1 = 185mΩ MAX. 4-5 = 385mΩ MAX.
6-10 = 30mΩ MAX. 7-9 = 30mΩ MAX.
2. INDUCTANCE : (@250KHz, 0.3Vrms) 3-1 = 50uH ±10%
(@250KHz, 0.3Vrms, 1.22A) 3-1 = 40uH MIN.
3. LEAKAGE INDUCTANCE : (@250KHz, 0.3Vrms, 4-5,6-7-9-10 SHORT)
3-1 = 2.0uH MAX.
4. TURN RATIO : (@250KHz, 0.1Vrms) 3-1 : 4-5 = 1 : 0.5 ±5%
3-1 : 6-10 = 1 : 0.166 ±5%
3-1 : 7-9 = 1 : 0.166 ±5%
5. HI-POT : (@1500VAC, 1mA, 2SEC) 3-7-10 , 3-4
6. POWER : 5W
7. OUTPUT : PIN 7-9 , 6-10 : 3.3V, 1.5A
8. OPERATING TEMPERATURE RANGE : -40°C~+85°C
9. RoHS COMPLIANT

| | | | | | | | | |
|-----------|-------------|------------|---------|-------|-------------|------------------|------------------------------|---------------------------------|
| | | | | | AOEM | | TITLE FLYBACK TRANSFORMER | |
| | | | | | | | DWG. NO. ATS-1370R | |
| RELEASE | | 03/13/2014 | SHIRLEY | BETTY | BETTY | UNITS: M/M | SAFETY | |
| NO: | DESCRIPTION | DATE | BY | CHK | APPD | DATE 03/13/14 | P/N: | SHEET 1 of 1 DRAW SHIRLEY |
| REVISIONS | | | | | | | | |