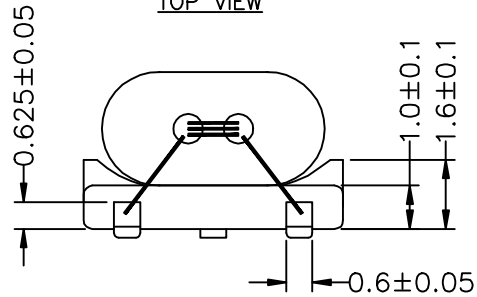
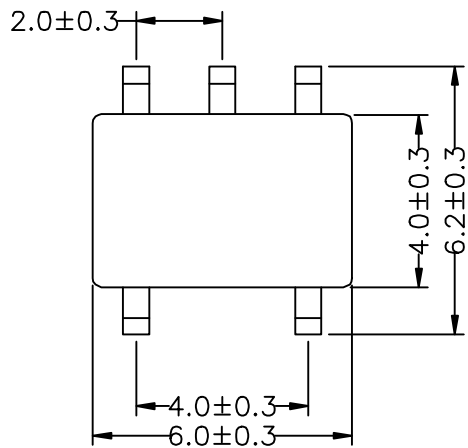
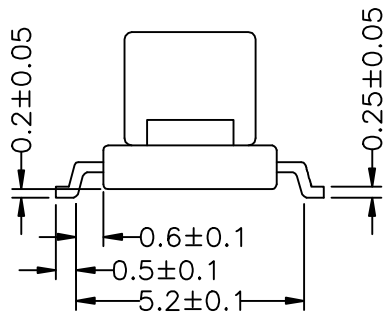


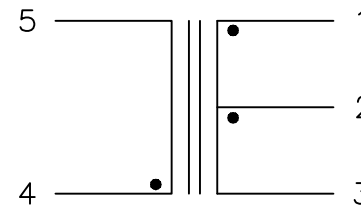
TOP VIEW



SIDE VIEW



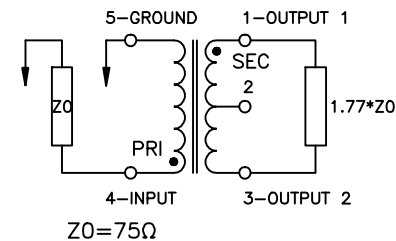
BOTTOM VIEW



ELECTRICAL CHARACTERISTICS :

1. IMPEDANCE @75-133Ω
2. TURN RATIO PIN 1-3 : 4-5 = 1.33 ±3%
3. INSERTION LOSS : 5-75MHz = 0.3dB TYP.
5-75MHz = 0.5dB MAX.
4. RoHS COMPLIANT

APPLICATION CIRCUIT :



						AOEM		TITLE BALUN TRANSFORMER	
								DWG. NO. ATS-1102R	
RELEASE		01/04/2012	SHIRLEY	RONAN	RONAN	UNITES: M/M	SAFETY		SHEET 1 OF 1
NO:	DESCRIPTION	DATE	BY	CHK	APPD	DATE	P/N:	DRAW SHIRLEY	
REVISIONS						01/04/2012			