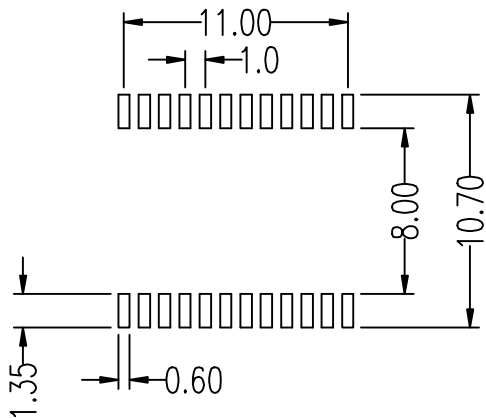


UNLESS OTHERWISE SPECIFIED ALL TOLERANCES ARE ± 0.25



PCB SUGGEST PAD LAYOUT

ELECTRICAL CHARACTERISTICS :

1. INSULATION HI-POT : 1500 Vrms/0.5mA 1 Sec.
2. TURN RATIO (±5%) : 1CT : 1CT
3. INSULATION RESISTANCE : 10MΩ
4. OCL : 350uH MIN. 8mA/DC Bias (FROM 0°C TO 70°C)
5. CROSS TALK (dB MIN.) : 1-60MHz 60-100MHz  
-35 -30
6. INSERTION LOSS (1MHz -100MHz) : -1.0dB MAX.
7. RETURN LOSS (dB MIN. @100Ω) :  
1-30MHz 30-60MHz 60-80MHz 80-100MHz  
-18 -14 -12 -10
8. DIFFERENTIAL TO COMMON MODE REJECTION (dB MIN.) :  
1-60MHz 60-100MHz  
-35 -30
9. LK (100KHz, 0.1Vrms) : 0.5uH MAX.
10. Cw/w (100KHz, 0.1Vrms) : 35pF MAX.
11. DCR : 1.2Ω MAX.
12. OPERATING TEMPERATURE RANGE : -40°C~+85°C
13. RoHS COMPLIANT

							TITLE 100/1000 BASE-T TRANSFORMER	
							DWG. NO. ATPL-473TR	
RELEASE		08/07/2014	SHIRLEY	BETTY	BETTY	UNITS: M/M	SAFETY	SHEET 1 OF 1
NO:	DESCRIPTION	DATE	BY	CHK	APPD	DATE	P/N:	DRAW
REVISIONS						08/07/14		SHIRLEY