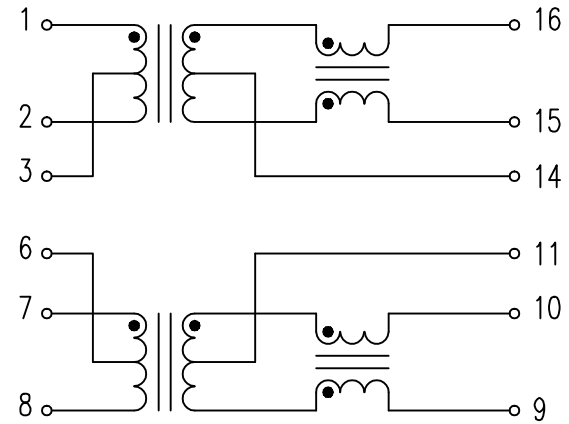


SUGGESTED PCB PAD LAYOUT

UNLESS OTHERWISE SPECIFIED, ALL TOLERANCES ARE mm±0.01



ELECTRICAL SPECIFICATIONS (25°C) :

1. TURN RATIOS (±5%) : TX & RX 1CT : 1CT
2. INDUCTANCE : (@100KHz, 0.1Vrms)
PIN 1-3 = 6-8 = 350uH MIN.
3. INSERTION LOSS (@1-100MHz) : -1.0dB MAX.
4. RETURN LOSS (dB MIN.) : 0.3-30MHz 30-60MHz 60-100MHz
-18 -16 -12
5. DIFFERENTIAL TO COMMON MODE REJECTION (dB MIN.) :
30MHz 60MHz 100MHz
-43 -37 -33
6. CROSSTALK (dB MIN.) : 1MHz 30MHz 60MHz 100MHz
-50 -40 -38 -33
7. HI-POT (@1500VAC, 1mA, 2SEC) : PRI.-SEC.
8. RoHS COMPLIANT

							TITLE	
							10/100 BASE-TX	
							DWG. NO.	
							ATPL-471R	
RELEASE		06/24/2015	SHIRLEY	BETTY	BETTY	UNITS:	SAFETY	SHEET 1 of 1
NO: DESCRIPTION		DATE	BY	CHK	APPD	M/M		
REVISIONS						DATE	P/N:	DRAW
						06/24/15		SHIRLEY