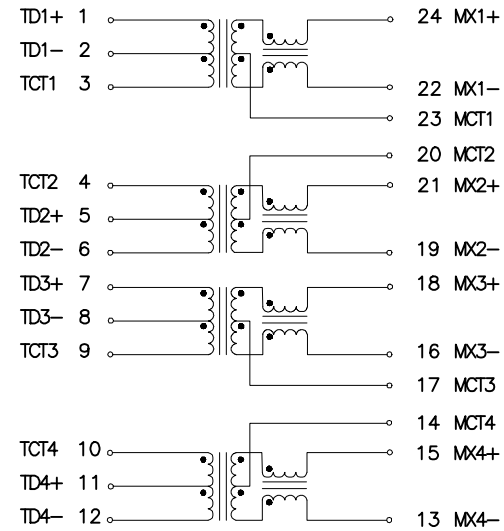
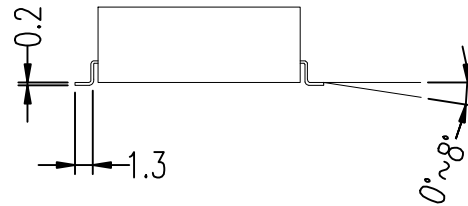
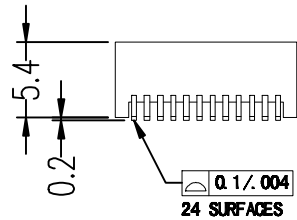


SUGGESTED PAD LAYOUT



ELECTRICAL SPECIFICATIONS :

1. TURNS RATIO : TX = 1CT : 1CT
RX = 1CT : 1CT
2. OCL (100KHz/0.1V WITH 8mA/DC BIAS) : 350uH MIN.
3. CROSS TALK : 30MHz = -43dB MIN.
60MHz = -36dB MIN.
100MHz = -32dB MIN.
4. INSERTION LOSS : 1-100MHz = -1.0dB MAX.
5. RETURN LOSS (@100 OHM) : 1-30MHz = -16dB MIN.
40MHz = -14dB MIN.
50MHz = -13dB MIN.
60-80MHz = -12dB MIN.
6. DCMRR : 30MHz = -43dB MIN.
60MHz = -37dB MIN.
100MHz = -33dB MIN.
7. HI-POT : 1500Vrms
8. OPERATING TEMPERATURE RANGE : -40°C ~ +85°C
9. RoHS COMPLIANT

UNIT : mm

TOLERANCE : xx.x0 ±0.25
0.xx ±0.05

							TITLE 10/100 BASE-TX TRANSFORMER	
							DWG. NO. ATPL-452R	
RELEASE		11/05/2012	SHIRLEY	BETTY	BETTY	UNITS: M/M	SAFETY	SHEET 1 of 1
NO:	DESCRIPTION	DATE	BY	CHK	APPD	DATE 11/05/12	P/N:	DRAW Shirley
REVISIONS								