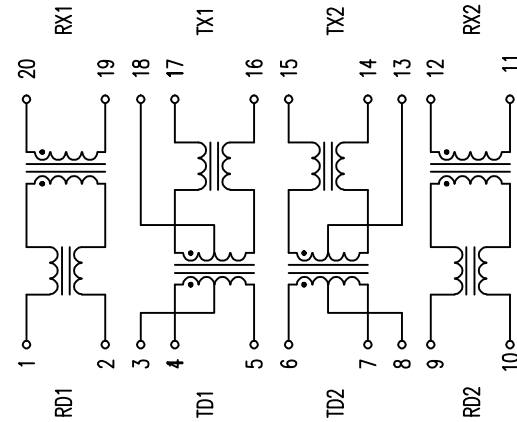


PCB SUGGESTED LAYOUT



ELECTRICAL CHARACTERISTICS : @25°C

1. TURNS RATIO : TX/RX = 1CT : 1CT (±5%).
2. OCL (@100KHz / 0.1V WITH 8 mA/DC BIAS) : 350uH MIN.
3. CW/W (@100KHz/0.2V) : 56pF TYP.
4. CROSS TALK : 60MHz = -38dB MIN.
100MHz = -30dB MIN.
5. INSERTION LOSS : 1~100MHz = -1.0dB MAX.
6. RETURN LOSS (@100 Ω) : 30MHz = -18dB MIN.
40MHz = -16dB MIN.
50MHz = -14.5dB MIN.
80MHz = -12dB MIN.
7. DCMRR : 1~100MHz = -35dB MIN.
8. HI-POT : 1500Vrms.
9. RoHS COMPLIANT

UNLESS OTHERWISE SPECIFIED ALL TOLERANCES ARE : ±0.25mm

| | | | | | | | | |
|-----------|-------------|------------|---------|-------|-------|------------|----------------------------------|--------------|
| | | | | | | | TITLE 10/100 BASE-TX TRANSFORMER | |
| | | | | | | | DWG. NO. ATPL-451R | |
| RELEASE | | 11/01/2012 | SHIRLEY | BETTY | BETTY | UNITS: M/M | SAFETY | |
| NO: | DESCRIPTION | DATE | BY | CHK | APPD | DATE | P/N: | SHEET 1 of 1 |
| REVISIONS | | | | | | 11/01/12 | DRAW SHIRLEY | |