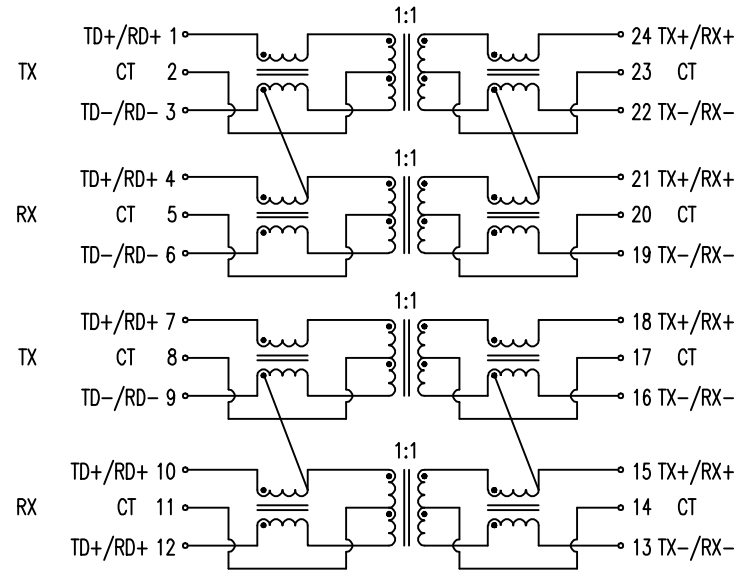
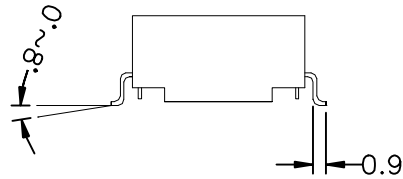


SUGGESTED PAD LAYOUT



ELECTRICAL CHARACTERISTICS :

1. TURNS RATIO ($\pm 5\%$) : TX = 1CT : 1CT
RX = 1CT : 1CT
2. OCL (100KHz/0.1V WITH 8mA/DC BIAS) : 350uH MIN.
3. INSERTION LOSS : 1-100MHz = -1.2dB MAX.
4. RETURN LOSS :

1-30MHz	40MHz	50MHz	60-80MHz	100MHz
-18	-14.4	-13.1	-12	-10
5. DCMRR : 30MHz = -42dB MIN.
60MHz = -35dB MIN.
100MHz = -30dB MIN.
6. HI-POT : 1500Vrms
7. RoHS COMPLIANCE

UNLESS OTHERWISE SPECIFIED ALL TOLERANCES ARE ± 0.25

							TITLE 10/100 BASE-T DUAL PORT TRANSFORMER	
							DWG. NO. ATPL-425R	
RELEASE	06/02/2011	SHIRLEY	GRACE	GRACE	UNITS: M/M	SAFETY		SHEET 1 of 1
NO:	DESCRIPTION	DATE	BY	CHK	APPD	DATE	P/N:	DRAW
REVISIONS					06/02/11			SHIRLEY