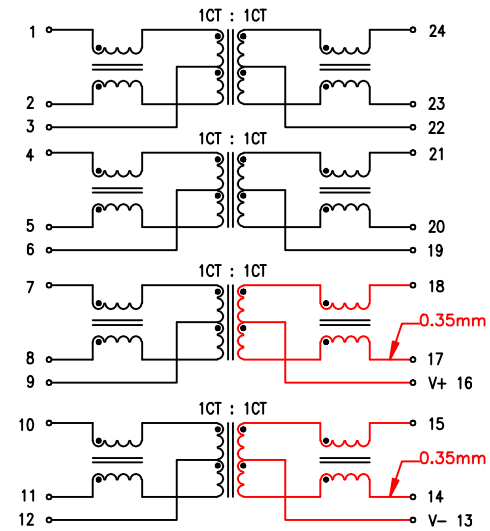


SUGGESTED PAD LAYOUT

UNLESS OTHERWISE SPECIFIED, ALL TOLERANCE ARE  $\pm 0.25$



ELECTRICAL CHARACTERISTICS :

- INSULATION HI-POT(PRI./SEC.) : 1500Vrms
- TURN RATIO ( $\pm 5\%$ ) : TX = 1CT : 1CT , RX = 1CT : 1CT
- OCL : 350uH MIN. 100KHz/0.1V AT 8mA DC BIAS
- INSERTION LOSS : 1-100MHZ = -1.0dB MAX.
- RETURN LOSS (dB MIN.) :
 

1-30MHz	40MHz	80MHz	100MHz
-18	-16	-12	-10
- CROSS TALK (dB MIN.) :
 

30MHz	60MHz	100MHz
-30	-30	-30
- OPERATING TEMPERATURE RANGE :  $-40^{\circ}\text{C} \sim +85^{\circ}\text{C}$
- RoHS COMPLIANT

							TITLE PoE SINGLE 1000 BASE-T	
							DWG. NO. ATPL-416R	
RELEASE		01/05/2011	SHIRLEY	BETTY	KING	UNITS: M/M	SAFETY	
NO:	DESCRIPTION	DATE	BY	CHK	APPD	DATE 01/05/11	P/N:	SHEET 1 of 1
REVISIONS						DRAW SHIRLEY		