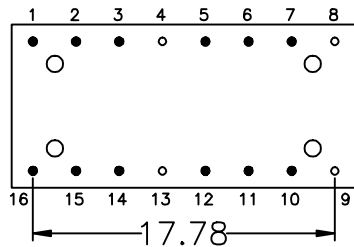
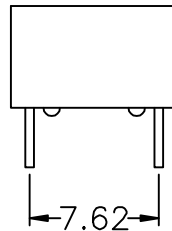
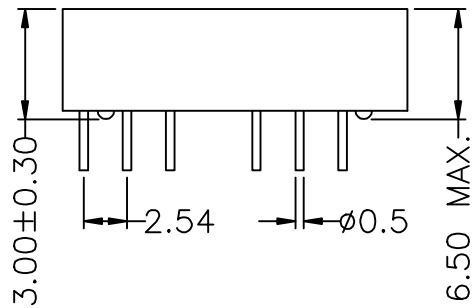


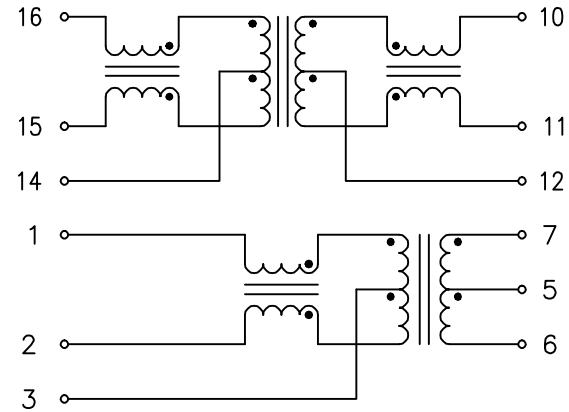


DOT PIN#1



PIN 4-13 & 8-9 CUT OUT

TOLERANCES : XX.X ± 0.25
X.XX ± 0.05



ELECTRICAL CHARACTERISTICS :

1. TURNS RATIO : 1CT : 1CT
2. OCL (100KHz/0.1V WITH 8mA/DC BIAS) : 350uH MIN.
3. CROSS TALK : 1-100MHz = -35 dB MIN.
4. INSERTION LOSS : 1~100MHz = -1.0 dB MAX.
5. RETURN LOSS : 1~30MHz = -16dB MIN.
40MHz = -14dB MIN.
50MHz = -13dB MIN.
60~80MHz = -12dB MIN.
6. DCMR : 1-100MHz = -30dB MIN.
7. HI-POT : 1500Vrms
8. RoHS COMPLIANCE

							TITLE 10/100 BASE-TX TRANSFORMER	
							DWG. NO. ATPL-410R	
RELEASE		10/05/2010	SHIRLEY	BETTY	KING	UNITES: M/M	SAFETY	SHEET 1 of 1
NO:	DESCRIPTION	DATE	BY	CHK	APPD	DATE	P/N:	DRAW
REVISIONS						10/05/2010		SHIRLEY