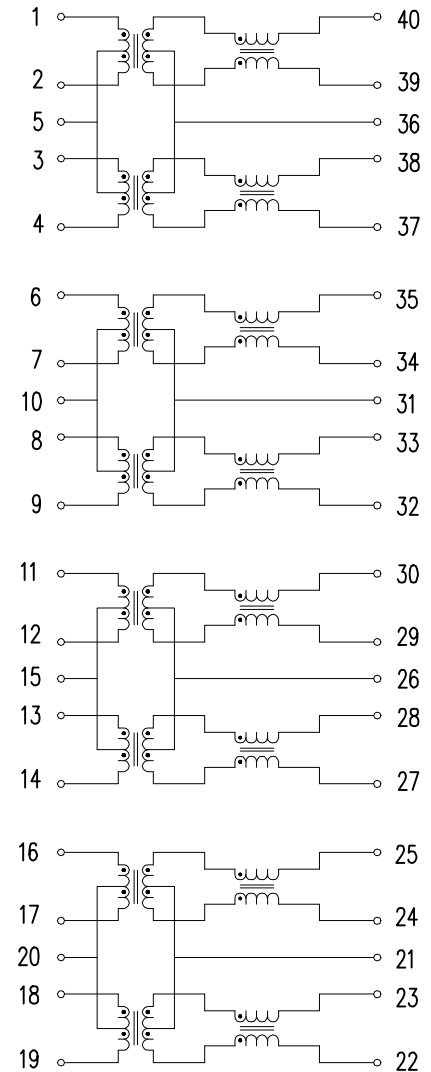
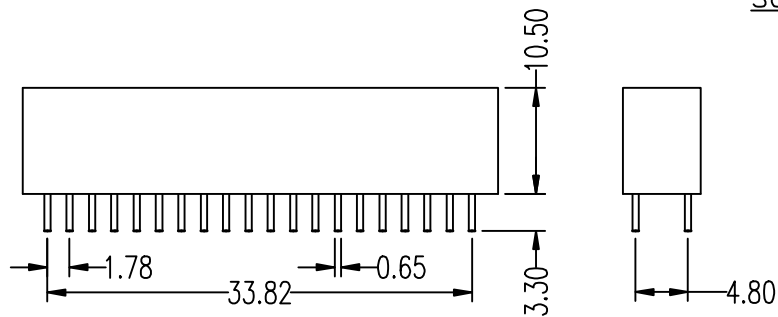


SUGGESTED PCB LAYOUT



ELECTRICAL CHARACTERISTICS :

1. TURNS RATIO : TX = 1CT : 1CT  
RX = 1CT : 1CT
2. OCL.(@100KHz, 100mV, 8 mA DC): 350uH.
3. INSERTION LOSS : 1-100MHz = -1.0dB MAX.
3. CROSS TALK : 1-30MHz = -42dB MIN.  
60MHz = -40dB MIN.  
80-100MHz = -38dB MIN.
4. RETURN LOSS : 1-30MHz = -18dB MIN.  
60MHz = -12dB MIN.  
80MHz = -10dB MIN
- 5 CMRR : 1-30MHz = -45dB MIN.  
60MHz = -40dB MIN.  
80-100MHz = -35dB MIN.
6. HI-POT (@1500Vrms, 1mA, 2SEC) :PRI-SEC.
7. RoHS COMPLIANT.

UNLESS OTHERWISE SPECIFIED ALL TOLERANCES ARE ±0.25

					<b>AOEM</b>		TITLE 1000 BASE-TX QUAD PORT TRANSFORMER MODUL	
							DWG. NO. ATPL-385R	
RELEASE	06/10/2009	SHIRLEY	BETTY	KING	UNITS: M/M	SAFETY		SHEET 1 OF 1
NO:	DESCRIPTION	DATE	BY	CHK	APPD	DATE	P/N:	DRAW SHIRLEY
REVISIONS					06/10/2010			