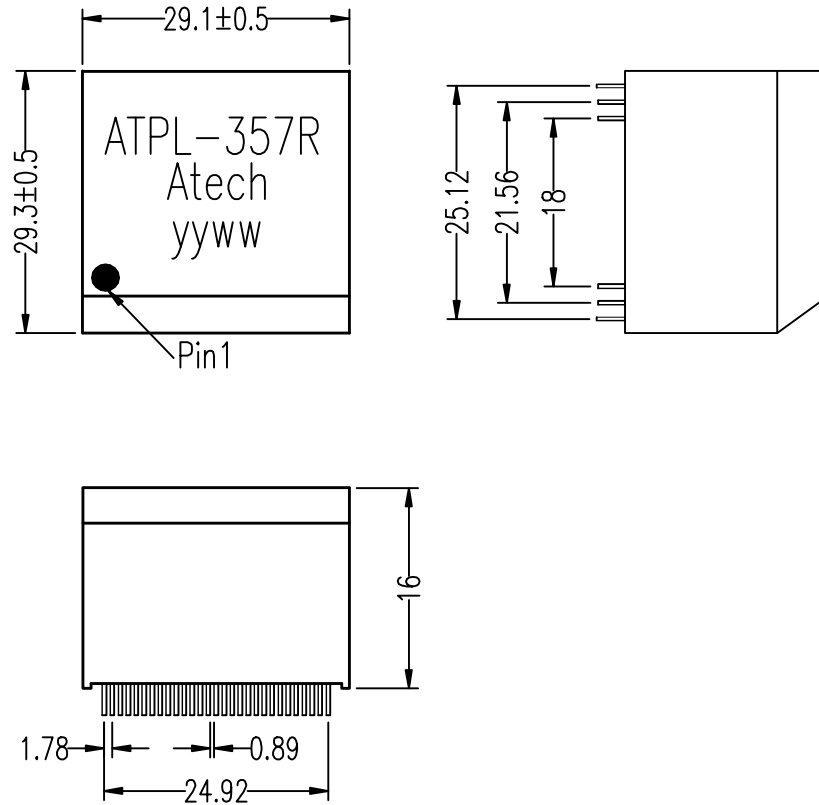
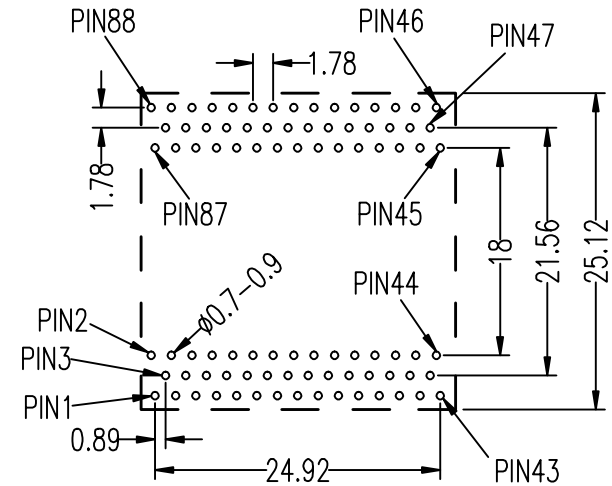


Mechanical Dimensions :



DIP Pad Dimensions : (TOP VIEW)




UNITS : MILLIMETER ALL TOLERANCES ARE ± 0.25 mm

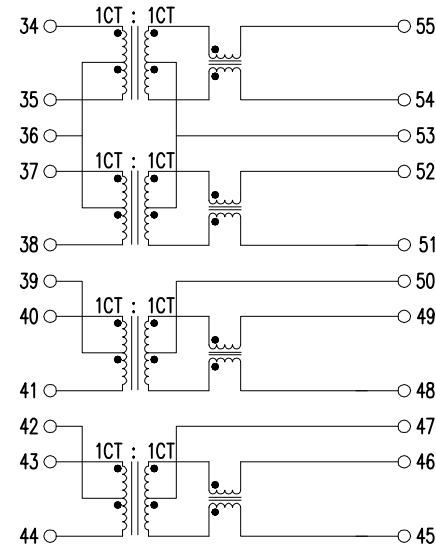
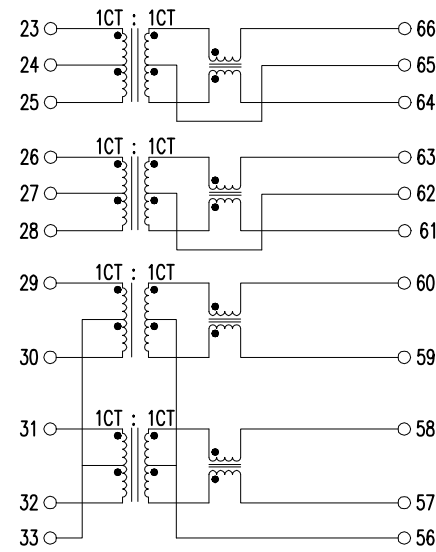
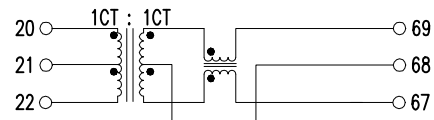
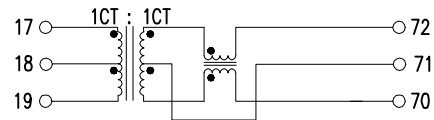
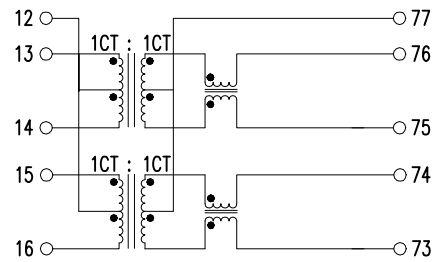
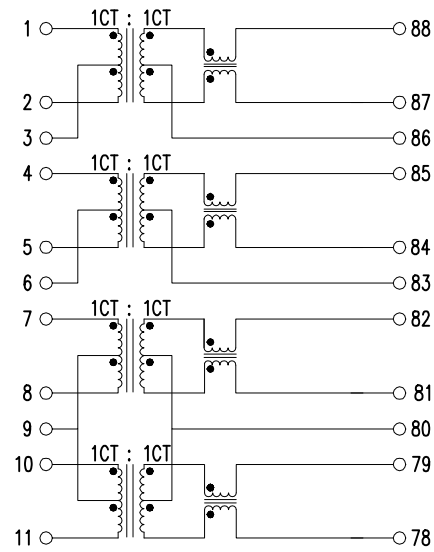
								TITLE 100/1000 BASE-TX QUAD PORT TRANSFORMER	
								DWG. NO. ATPL-357R	
A	CHANGE ELECTRIC SPECIFICATIONS	08/18/2010	SHIRLEY	BETTY	KING	UNITS:	SAFETY		SHEET 1 of 3
	RELEASE	09/25/2009	LIGHT	WILLIE	KING	M/M			
NO:	DESCRIPTION	DATE	BY	CHK	APPD	DATE	P/N:	DRAW	
REVISIONS						09/09/25		LIGHT	


ELECTRICAL SPECIFICATIONS @ 25°C

1. TURN RATIO : 1CT : 1CT(TX)/1CT : 1CT(RX)
2. OPEN CIRCUIT INDUCTANCE : 350uH MIN @100KHz,100mV,8 mA DC BIAS
3. WINDING RESISTANCE : 1.2Ω max.
4. INSERTION LOSS (TX/RX) : -1.1dB max. (1-100MHz)
5. RETURN LOSS (TX/RX) : -18dB min.(30MHz)
 -12dB min.(60~80MHz)
 -10dB min.(100MHz)
6. COMMON MODE REJECTION (TX/RX) : -40dB min.(30MHz)
 -35dB min.(60MHz)
 -30dB min.(100MHz)
7. CROSS TALK : -40dB min.(30MHz)
 -35dB min.(60MHz)
 -30dB min.(100MHz)
8. ISOLATION(PRIMARY/SECONDARY) : 1500 Vrms For 2sec,1mA Leakage Current
9. OPERATING TEMPERATURE : -0°C~+70°C
10. STORAGE TEMPERATURE : -20°C~+85°C
11. RoHS COMPLIANT

								TITLE 100/1000 BASE-TX QUAD PORT TRANSFORMER	
								DWG. NO. ATPL-357R	
A	CHANGE ELECTRIC SPECIFICATIONS	08/18 /2010	SHIRLEY	BETTY	KING	UNITS: M/M		SAFETY	
	RELEASE	09/25 /2009	LIGHT	WILLIE	KING			SHEET 2 of 3	
NO:	DESCRIPTION	DATE	BY	CHK	APPD	DATE	P/N:	DRAW	
REVISIONS						09/09/25		LIGHT	

Circuit Schematic :



								TITLE 100/1000 BASE-TX QUAD PORT TRANSFORMER	
								DWG. NO. ATPL-357R	
A	CHANGE ELECTRIC SPECIFICATIONS	08/18/2010	SHIRLEY	BETTY	KING	UNITS:	SAFETY		SHEET 3 of 3
	RELEASE	09/25/2009	LIGHT	WILLIE	KING	M/M			
NO:	DESCRIPTION	DATE	BY	CHK	APPD	DATE	P/N:	DRAW	
REVISIONS						09/09/25		LIGHT	