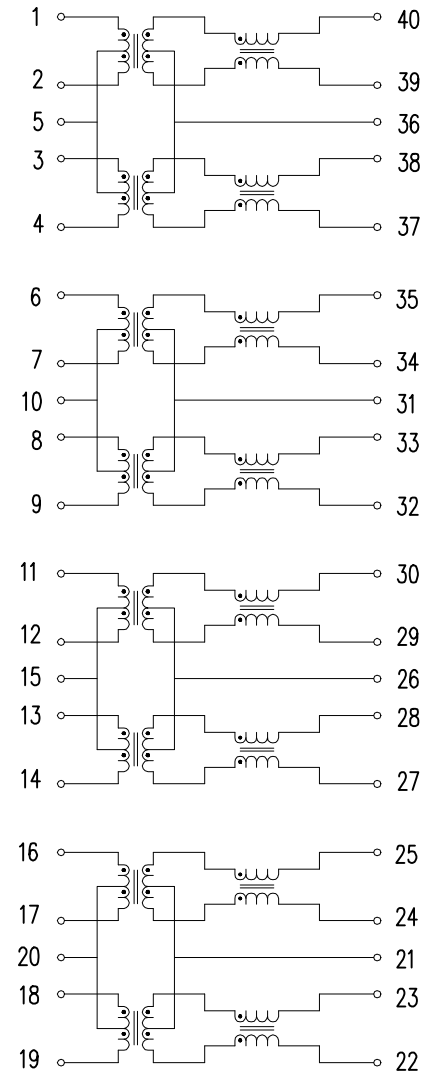


PCB LAYOUT MOUNTING HOLE  
TOP VIEW

ELECTRICAL CHARACTERISTICS :

1. TURNS RATIO : TX = 1CT : 1CT  $\pm$ 5%  
RX = 1CT : 1CT  $\pm$ 5%
2. OCL.(@100KHz, 100mV, 8 mA DC): 350uH MIN.
3. INSERTION LOSS : 1-100MHz = -1.0dB MAX.  
3. CROSS TALK : 1-30MHz = -42dB MIN.  
60MHz = -40dB MIN.  
80-100MHz = -38dB MIN.
4. RETURN LOSS : 1-30MHz = -18dB MIN.  
60MHz = -12dB MIN.  
80MHz = -10dB MIN
- 5 CMRR : 1-30MHz = -45dB MIN.  
60MHz = -40dB MIN.  
80-100MHz = -35dB MIN.
6. HI-POT (@1500Vrms, 1mA, 2SEC) :PRI-SEC.
7. RoHS COMPLIANT.



UNLESS OTHERWISE SPECIFIED ALL TOLERANCES ARE  $\pm$ 0.25

							TITLE 10/100 BASE-TX QUAD PORTS TRANSFORMER	
							DWG. NO. ATPL-355R	
B	CHANGE ELECTRICAL CHARACTERISTICS	07/08/2010	SHIRLEY	BETTY	KING	UNITS: M/M	SAFETY	SHEET 1 OF 1
A	ADD PCB LAYOUT & RoHS	05/04/2010	KING	BETTY	KING			
RELEASE		09/25/2009	LIGHT	WILLIE	KING	P/N:		DRAW LIGHT
NO:	DESCRIPTION	DATE	BY	CHK	APPD	DATE		
REVISIONS						09/25/2009		