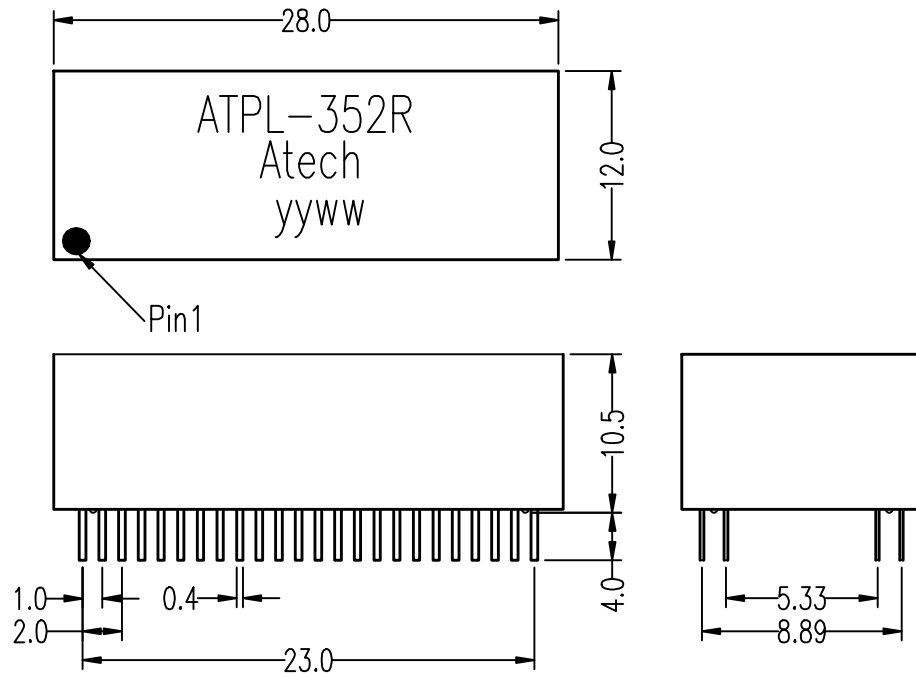
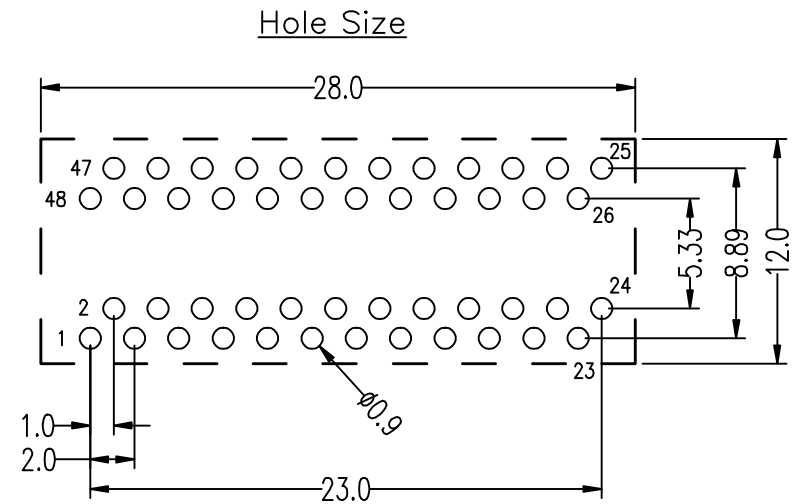


Mechanical Dimensions :



DIP Pad Dimensions : (TOP VIEW)




RECOMMENDED PAD LAYOUT

UNITS : MILLIMETER ALL TOLERANCES ARE  $\pm 0.25$  mm

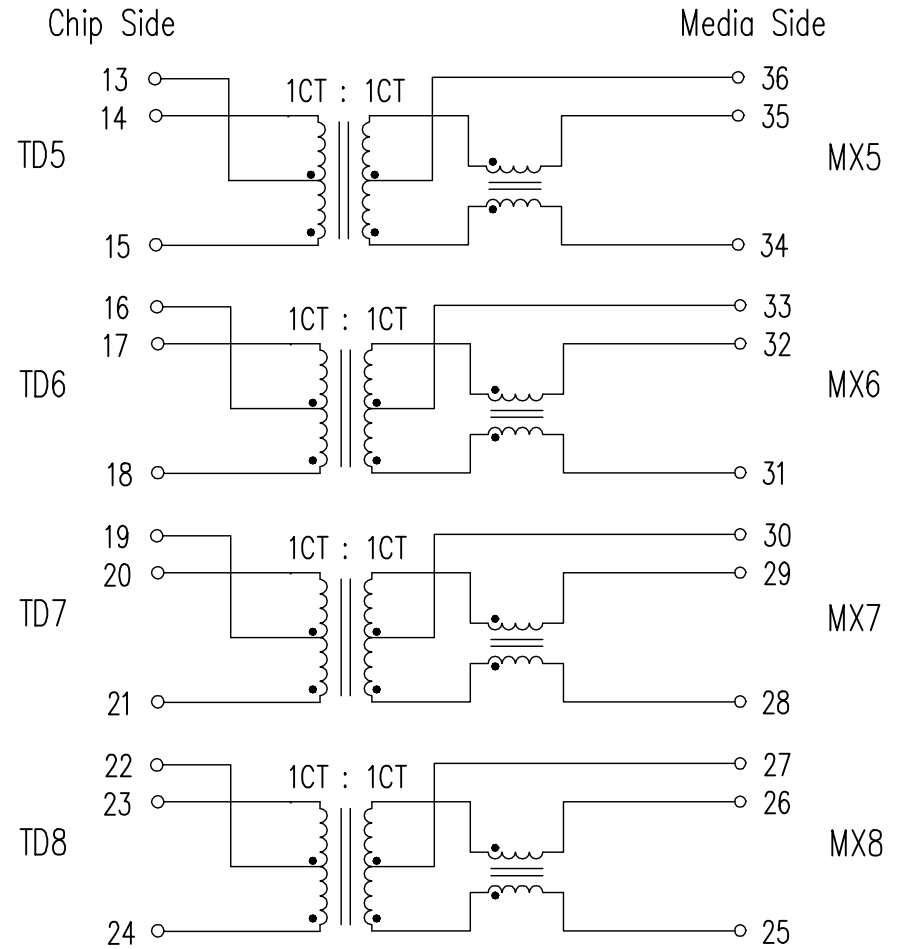
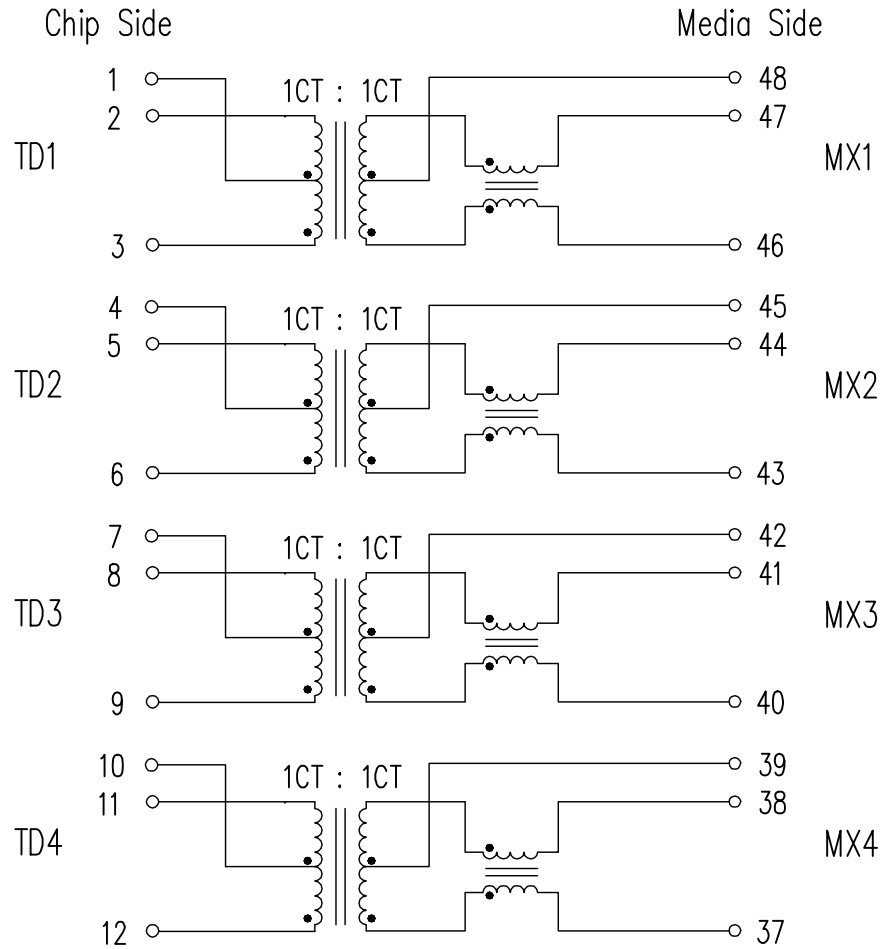
					<b>AOEM</b>		TITLE 1000 BASE-TX DUAL PORTS TRANSFORMER	
							DWG. NO. ATPL-352R	
RELEASE		09/28/2010	SHIRLEY	BETTY	KING	UNITS: M/M	SAFETY	
NO:	DESCRIPTION	DATE	BY	CHK	APPD	DATE 09/28/10	P/N:	SHEET 1 of 3
REVISIONS								DRAW SHIRLEY

ELECTRICAL SPECIFICATIONS : @ 25°C

1. TURN RATIO : 1CT : 1CT(TX)/1CT : 1CT(RX)
2. OPEN CIRCUIT INDUCTANCE :350uH MIN @100KHz,100mV,8 mA DC BIAS
3. INSERTION LOSS (TX/RX) : -1.0dB max (1-100MHz)
4. RETURN LOSS (TX/RX) : -18dB min(1~30MHz)  
 -12dB min (60MHz)  
 -10dB min(80MHz)
5. COMMON MODE REJECTION (TX/RX) : -40dB min(1~30MHz)  
 -35dB min(60MHz)  
 -30dB min (80~100MHz)
6. CROSS TALK : -40dB min(1~30MHz)  
 -35dB min(60MHz)  
 -30dB min(80~100MHz)
7. ISOLATION(PRIMARY/SECONDARY) : 1500 Vrms For 2sec,1mA Leakage Current
8. OPERATING TEMPERATURE : -0°C~+70°C
9. STORAGE TEMPERATURE : -20°C~+85°C
10. RoHS COMPLIANT

								TITLE 1000 BASE-TX DUAL PORTS TRANSFORMER	
								DWG. NO. ATPL-352R	
RELEASE		09/28/2010	SHIRLEY	BETTY	KING	UNITS: M/M	SAFETY		SHEET 2 of 3
NO:	DESCRIPTION	DATE	BY	CHK	APPD	DATE 09/28/10	P/N:		DRAW SHIRLEY
REVISIONS									

# Circuit Schematic :



					<b>AOEM</b>		TITLE 1000 BASE-TX DUAL PORTS TRANSFORMER	
							DWG. NO. ATPL-352R	
RELEASE		09/28/2010	SHIRLEY	BETTY	KING	UNITS: M/M	SAFETY	
NO: DESCRIPTION		DATE	BY	CHK	APPD	DATE 09/28/10	P/N:	SHEET 3 of 3
REVISIONS								DRAW SHIRLEY