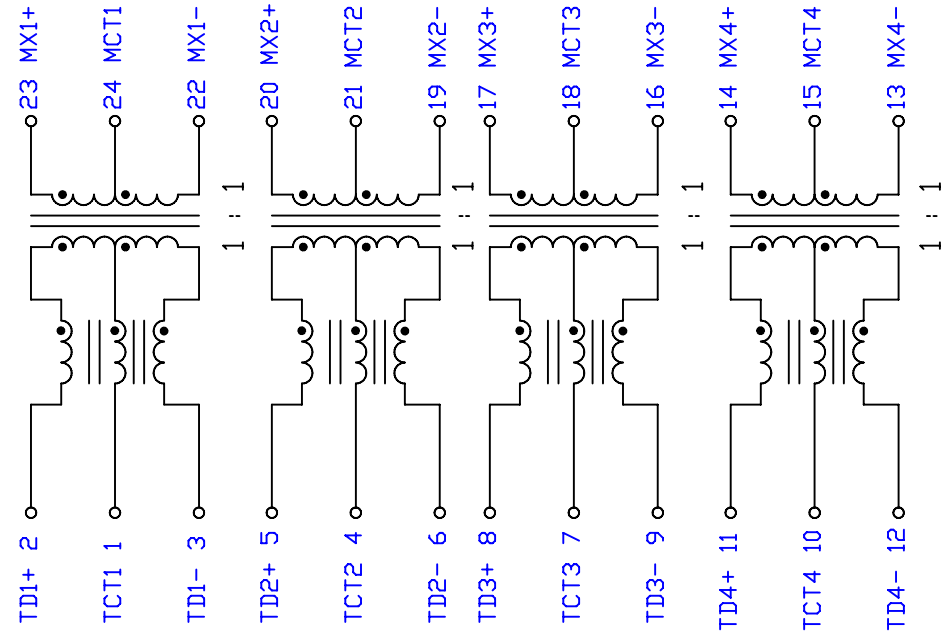


TOLERANCES : ± 0.25



ELECTRICAL SPECIFICATIONS@25°C :

1. TURN RATIO : TX/RX = 1CT : 1
2. CROSSTALKS (dB MIN) : 30MHZ 60MHZ 100MHZ  
-43dB -37dB -33dB
3. INSERTION LOSS (dB MAX) :  
0.1MHZ 100MHZ 125MHZ  
-1.1dB -1.0dB -2.0dB
4. RETURN LOSS (dB MIN) : @100 OHM +/-15%  
30MHZ 60MHZ 80MHZ 100MHZ  
-18dB -12dB -12dB -10dB
5. HI-POT : 1500Vrms
6. RoHS COMPLIANT
7. REEL PACKING

						<b>Atech®</b>		TITLE MODULES TRANSFORMER	
						Atech Technology Co. Ltd.		DWG. NO. ATPL-310R	
						TEL:02794-6667 FAX:02794-8004			
RELEASE		05/17/2007	PAIR	WILLIE	EUGENE	UNITS: M/M		SAFETY	
NO	DESCRIPTION	DATE	BY	CHK	APPD	DATE		SHEET 1 OF 1	
REVISIONS						05/17/07		DRAW Pair	