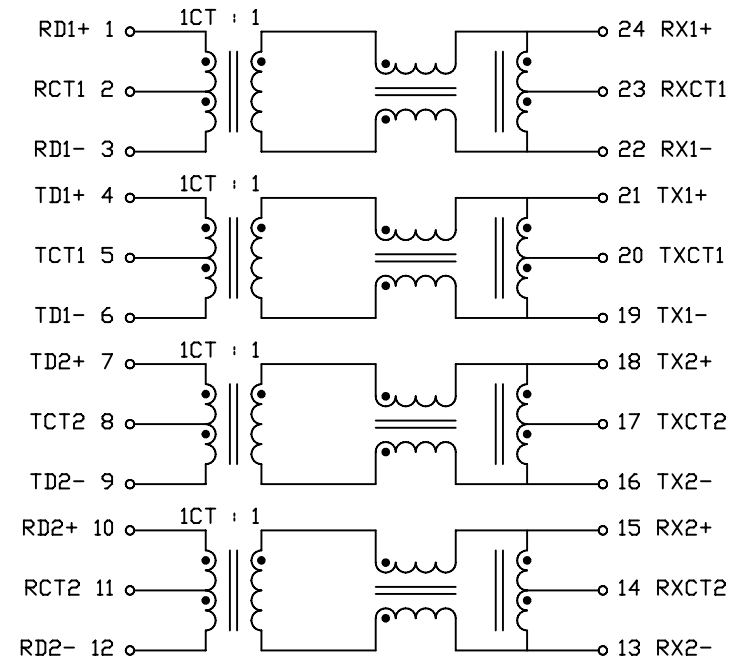


TOLERANCES : XX.X ± 0.25  
X.XX ± 0.05



## ELECTRICAL SPECIFICATIONS :

1. TURNS RATIO : TX = 1CT : 1  
RX = 1CT : 1CT
2. OCL (<100KHZ/0.1V WITH 8mA/DC BIAS) : 350uH MIN.
3. HI-PDT : 1500Vrms
4. DC RESISTANCE BALANCE ≤ 3.5%
5. CROSS TALK : 60MHZ = -37dB MIN.  
100MHZ = -33dB MIN.
6. INSERTION LOSS : 1-100MHZ = -1.1dB MAX.
7. RETURN LOSS (@100 OHM) : 1-30MHZ = -16dB MIN.  
40MHZ = -14dB MIN.  
50MHZ = -13dB MIN.  
60-80MHZ = -12dB MIN.
8. DCMRR : 30MHZ = -43dB MIN.  
60MHZ = -37dB MIN.  
100MHZ = -33dB MIN.
9. RoHS COMPLIANT

						<b>Atech®</b>		TITLE 10/100 BASE-TX TRANSFORMER	
						Atech Technology Co. Ltd. TEL:022794-6667 FAX:022794-8004		DWG. NO. ATPL-197R	
RELEASE		04/18/2007	PAIR	WILLIE	EUGENE	UNITS: M/M		SAFETY	
NO.	DESCRIPTION	DATE	BY	CHK	APPD	DATE		SHEET 1 OF 1	
REVISIONS						04/18/07		DRAW <i>Pair</i>	