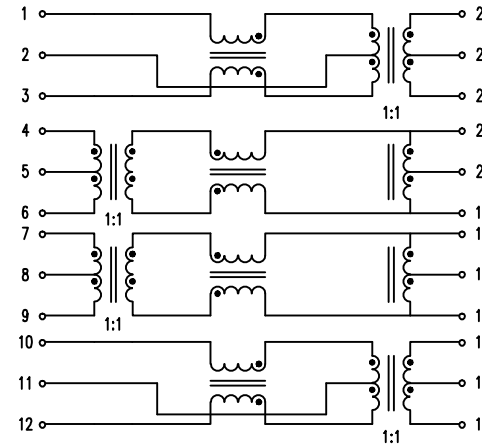


SUGGESTED PAD LAYOUT

TOLERANCES : XX.X0 ±0.25  
0.XX ±0.05



ELECTRICAL CHARACTERISTICS :

1. TURNS RATIO TX/RX : 1CT:1CT
2. DC RESISTANCE BALANCE <= 3.5%
3. HI-POT : 1500Vrms
4. CROSS TALK : 30MHz = -43 dB MIN.  
60MHz = -37 dB MIN.  
100MHz = -33 dB MIN.
5. INSERTION LOSS : 1-100MHz = -1.2 dB MAX.
7. RETURN LOSS (@100 Ω) : 1-30MHz = -16 dB MIN.  
40MHz = -14 dB MIN.  
50MHz = -13 dB MIN.  
60-80MHz = -12 dB MIN.
8. CMRR : 30MHz = -50 dB MIN.  
60MHz = -43 dB MIN.  
100MHz = -35 dB MIN.
9. 350mA CURRENT CAPABILITY
10. OCL (@100KHz/0.2V WITH 8mA/DC BIAS) : 350uH MIN.
11. DCR : 0.9 Ω MAX.
12. RoHS COMPLIANT

								TITLE TRANSFORMER	
								DWG. NO. ATPL-192AR	
RELEASE		04/12/2012	SHIRLEY	BETTY	BETTY	UNITS: M/M	SAFETY		SHEET 1 of 1
NO:	DESCRIPTION	DATE	BY	CHK	APPD	DATE	P/N:	DRAW SHIRLEY	
REVISIONS						04/12/12			