

SUGGESTED PAD LAYOUT

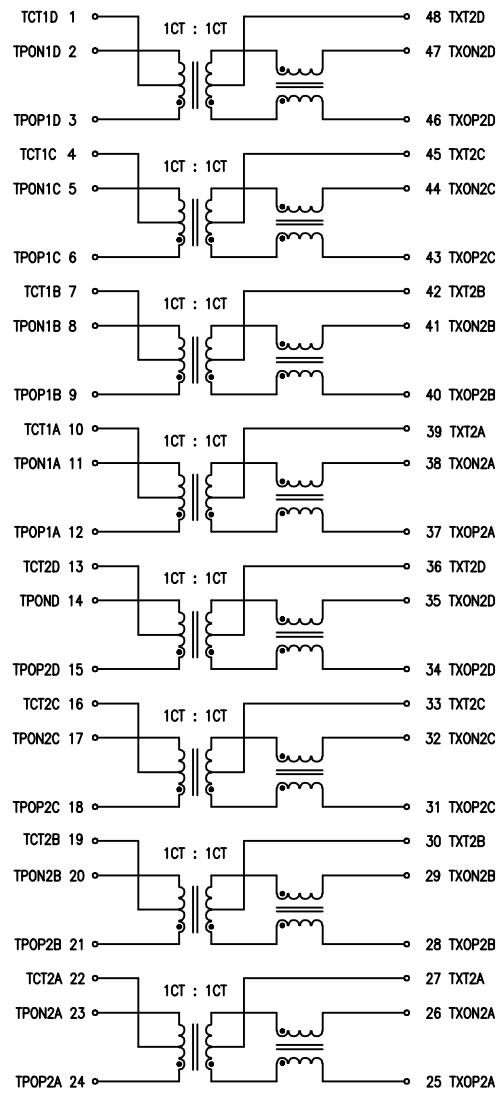
TOLERANCE:xx.x0±0.25
0.xx±0.05

ELECTRICAL CHARACTERISTICS @25°C:

1. INSULATION HI-POT : 1500 Vrms
2. TURN RATIO (±5%) : TX = 1CT : 1CT
RX = 1CT : 1CT
3. OCL : 350uH MIN. 100kHz/0.1V AT 8mA DC BIAS
4. CROSS TALK (dB MIN.) : 1-100MHz ; -30dB MIN.
5. INSERTION LOSS (1MHz-100MHz) : -1.1dB MAX.
6. RETURN LOSS (dB MIN. @100Ω) :

1-30MHz	40MHz	50MHz	60-80MHz	100MHz
-18	-14.4	-13.1	-12	-10
7. DIFFERENTIAL TO COMMON MODE REJECTION (dB MIN.) :
1-100MHz = -30dB MIN.
8. OPERATING TEMPERATURE RANGE: 0°C~+70°C
9. RoHS COMPLIANT

					AOEM		TITLE DUAL 1000 BASE-T	
							DWG. NO. ATPL-167R	
RELEASE		02/05/2018	SHIRLEY	BETTY	BETTY	UNITS: M/M	SAFETY	
NO:	DESCRIPTION	DATE	BY	CHK	APPD	DATE 02/05/18	P/N:	SHEET 1 of 2 DRAW SHIRLEY
REVISIONS								



								TITLE DUAL 1000 BASE-T	
								DWG. NO. ATPL-167R	
RELEASE		02/05 /2018	SHIRLEY	BETTY	BETTY	UNITS: M/M	SAFETY		SHEET 2 of 2
NO:	DESCRIPTION	DATE	BY	CHK	APPD	DATE	P/N:	DRAW SHIRLEY	
REVISIONS						02/05/18			