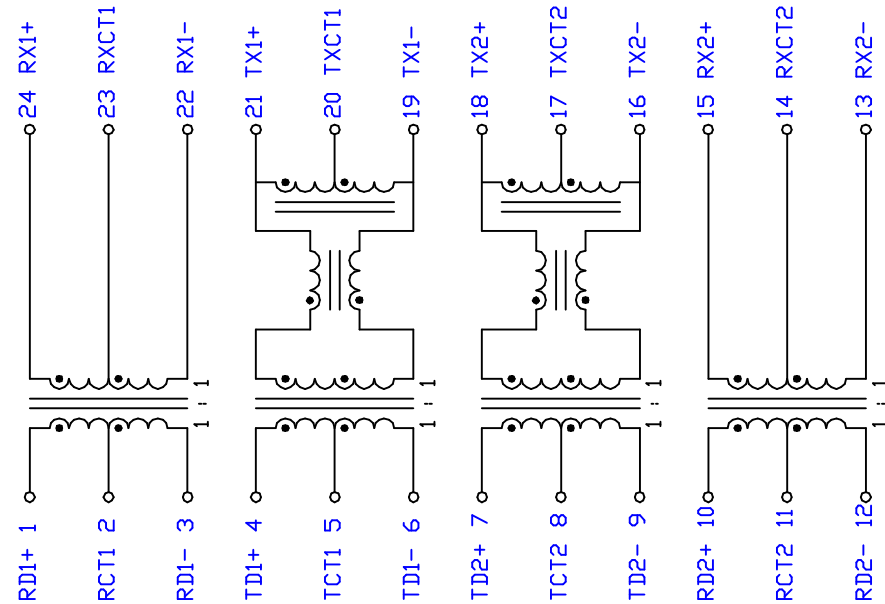


TOLERANCES : ± 0.25



ELECTRICAL SPECIFICATIONS@25°C :

- ISOLATION HI-POT : 1500V_{rms} (PRI./SEC)
- TURN RATIO (±5%) : TX = 1CT : 1CT, RX = 1CT : 1CT
- CROSSTALKS (dB MIN) : 60MHZ 100MHZ
-37dB -33dB
- INSERTION LOSS (dB MAX) : -1.2dB AT 1MHZ-100MHZ
- RETURN LOSS (dB MIN) :
1MHZ-30MHZ 40MHZ 50MHZ 60MHZ-80MHZ
-16dB -14dB -13dB -12dB
- DIFFERENTIAL TO COMMON MODE REJECTION (dB MIN) :
30MHZ 60MHZ 100MHZ 30MHZ
-40dB -35dB -30dB -43dB

						Atech [®] Atech Technology Co. Ltd. TEL:022794-6667 FAX:022794-8004		TITLE 10/100 BASE-TX TRANSFORMER	
RELEASE		12/13/2001	DOLLY	AL	SUEDY	UNITS: M/M		SAFETY	
NO.	DESCRIPTION	DATE	BY	CHK	APPD	DATE		SHEET 1 OF 1	
REVISIONS						12/13/01		DRAW Pair	